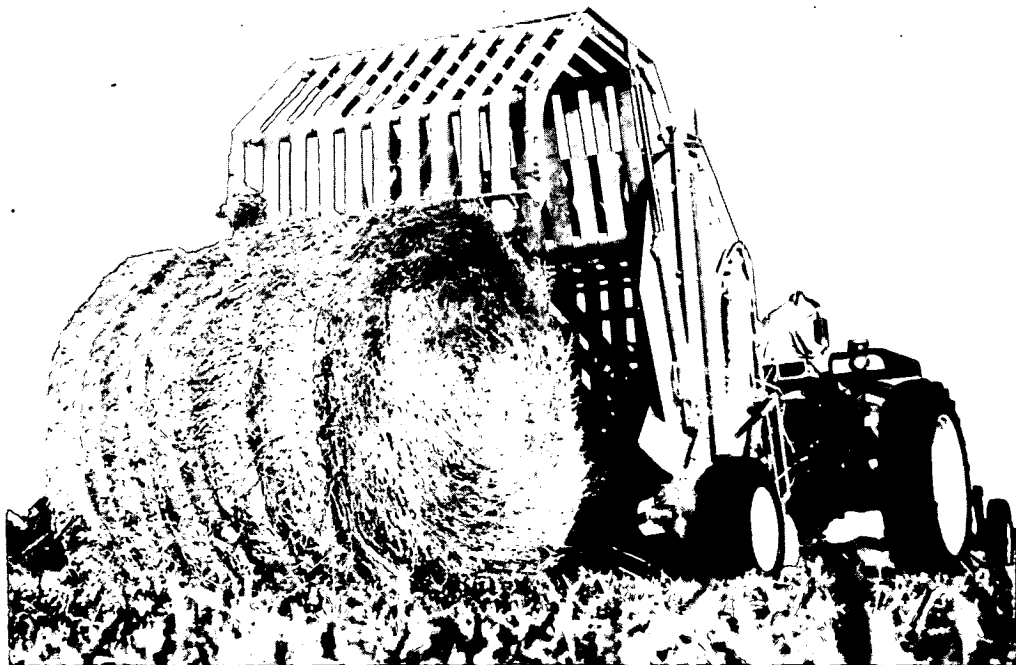




EUROPE S.A.

5600C

"ROUNDER" BALER



ILLUSTRATED PARTS LISTING

HESSTON ASSURES YOU THE LATEST

You may note an occasional difference between the illustration and an actual part received on your machine or as a replacement. This means you are getting the benefit of a new design improvement made after the release of this manual.

HOW TO ORDER THE LATEST

HESSTON will automatically ship the latest part even though you unknowingly ask for a number that has been replaced. Also, your HESSTON dealer receives an up-to-date parts and supersedence listing every three months. See your dealer with any questions about latest usage.

DECAL KIT : 9980343

HESSTON VOUS GARANTIT LES DERNIÈRES NOUVEAUTÉS

Il se peut que vous constatiez occasionnellement une différence entre l'illustration de votre catalogue et une pièce reçue en remplacement ou qui équipe déjà votre machine. Ceci signifie que vous bénéficiez des améliorations apportées sur les nouvelles machines depuis la diffusion de ce catalogue.

COMMENT COMMANDER LES PIÈCES « DERNIER MODÈLE »

HESSTON vous enverra automatiquement les pièces « dernier modèle » même si vous avez demandé sans le savoir un numéro de pièce qui a été remplacé. Votre concessionnaire HESSTON reçoit périodiquement un nouveau listing qui indique les pièces nouvelles et les pièces remplacées. Contacter votre concessionnaire si vous avez des renseignements à demander sur l'utilisation de pièces nouvelles.

JEU DE DÉCALQUES : 9980343

HESSTON GARANTIERT DIE LETZTEN NEUERUNGEN

Sollten Sie gelegentlich bei neugelieferten Maschinenteilen bzw. nachgelieferten Ersatzteilen Abweichungen feststellen zu den Abbildungen des vorliegenden Katalogs, so bedeutet dies, dass Sie entsprechend den seit Ausgabe des Katalogs eingetretenen technischen Neuerungen beliefert und damit noch besser bedient wurden.

WIE MASCHINENTEILE « NEUESTER AUS- FÜHRUNG » ZU BESTELLEN SIND

HESSTON beliefert Sie automatisch mit Maschinenteilen neuester Ausführung, auch wenn Sie unwissentlich Ihre Bestellung unter der Nummer eines inzwischen überholten Teils aufgeben. Ihre HESSTON Service-Station führt laufend Nachtraglisten über Neuausführungen und Änderungen. Befragen Sie Ihren HESSTON-Vertreter über den Einsatz neuer Geräte.

ZEICHNUNGSUNTERLAGEN : 9980343

HESSTON VI GARANTISCE LE ULTIME NOVITA









Puo' darsi che osserviate occasionalmente una differenza tra le figure del vostro catalogo e un pezzo di ricambio o un pezzo già esistente sulla vostra macchina. Cio significa che avete le ultime modifiche apportate sulle nuove macchine dopo la diffusione di questo catalogo.

COME ORDINARE I PEZZI ULTIMO MODELLO

La HESSTON manderà automaticamente i pezzi « ultimo modello » anche se, senza saperlo, avete richiesto un pezzo che ha subito una modifica. Il Vostro concessionario HESSTON riceve periodicamente un elenco aggiornato con i nuovi pezzi ed i pezzi che sono stati sostituiti, Chiedete al Vostro concessionario informazioni sull'uso dei nuovi pezzi.

ASSORTIMENTO DI CALCHI : 9980343

HARDWARE LEGEND
LEGENDE DE LA BOULONNERIE

Symbols		Designation	Dimensions	N°
Hm		Jam Nut Ecrou hexagonal bas (C.6)	M 12 M 24	7704570 7704588
HES		Flange Serrated Lock Nut Ecrou à embase striée	Ø 6 Ø 8 Ø 10 Ø 12	7704851 7704869 7704612 7704877
HU		Hex Nut Ecrou hexagonal usuel (C 6)	M 5 M 12 M 14 M 16 M 18 M 20	7704265 7704307 7704315 7704323 7704331 7704349
LU		Flat Washer Rondelle plate large précise	Ø 12	705962
MN		Flat Washer Rondelle plate brute	Ø 24	705426
MU		Flat Washer Rondelle plate moyenne précise	Ø 5 Ø 8 Ø 10 Ø 12 Ø 14 Ø 16 Ø 20 Ø 30 Ø 33	7705080 705830 705848 705855 705863 705871 705889 7705148 7705106
V		Cotter Pin Goupille fendue V	4 x 32 5 x 32 5 x 36 5 x 50	062182 062232 062240 062265
VH		Cap Screw Vis à tête hexagonale (C 6.8)	M 5-25 M 8-20 M 8-25 M 10-20 M 10-25 M 10-30 M 12-25 M 12-30 M 12-35	7703663 7702616 7702624 7702673 7702681 703314 7703325 7701378 7702988

HARDWARE LEGEND
LEGENDE DE LA BOULONNERIE







Symbols		Designation	Dimensions	N°
VH		Cap Screw	M 12-40	7702756
		Vis à tête hexagonale (C 6.8)	M 12-45	7702764
			M 12-50	7702772
			M 12-60	7702780
			M 12-90	7703341
			M 12-100	7703358
			M 14-25	7703689
			M 14-40	7703135
			M 16-40	7772312
			M 16-50	7702822
			M 16-70	7703770
			M 18-70	7703788
			M 20-60	7703762
			M 20-80	7703598
			M 20-90	7703648
	M 20-100	7703606		
	M 20-120	7703697		
	M 20-200	7703895		
	M 24-80	7703655		
VJ		Carriage Bolt Vis à tête bombée collet carré (C 6.8)	M 10-110	7700651
W		Lock Washer	Ø 10	705285
		Rondelle frein "Grower"	Ø 12	705293
			Ø 14	705301
			Ø 16	705319
			Ø 18	7705163
			Ø 20	705327
			Ø 24	7705122
ZU		Flat Washer Rondelle plate étroite précise	Ø 24	705806
J		Jam Nut Erou hexagonal bas	1/2"	7704000
L		Lock Washer Rondelle frein "Grower"	1/2"	705046

TABLE OF CONTENTS

Gear box	8
PTO U-Joint Glaenzer	9
Main drive assembly	10-11
Tongue, a-frame and idlers assembly	12-13
Shields assembly	14
Pick-up assembly	15
Left main frame assembly	16-17
Right main frame assembly	18-19
Uppers rollers and rear gate assembly	20-21
Lower conveyor belt, rollers and wheels	22-23
Rear gate hydraulic assembly	24-25
Hydraulic cylinder	26
Pick-up windrow guard kit	26
Pick-up windrow guard kit	27
Hydraulic pressure gauge kit	27
Lacer and splicer tool kit	28
Lacing hooks and pins	28
Lacing hooks and pins for lower belt	29
Part number index	30-31

TABLE DES MATIÈRES

<i>Renvoi d'angle</i>	8
<i>Transmission Glaenzer</i>	9
<i>Commande</i>	10-11
<i>Flèche et tendeur</i>	12-13
<i>Carters</i>	14
<i>Ramasseur</i>	15
<i>Châssis gauche</i>	16-17
<i>Châssis droit</i>	18-19
<i>Rouleaux supérieurs et porte arrière</i>	20-21
<i>Rouleaux inférieurs, tapis et essieu</i>	22-23
<i>Circuit hydraulique</i>	24-25
<i>Vérin hydraulique</i>	26
<i>Kit rampe de recouvrement mobile</i>	26
<i>Kit rampe de recouvrement fixe</i>	27
<i>Kit manomètre</i>	27
<i>Kit jonctonneur de courroies</i>	28
<i>Kit agrafes et lacets</i>	28
<i>Kit agrafes et lacets pour tapis</i>	29
<i>Index numérique</i>	30-31

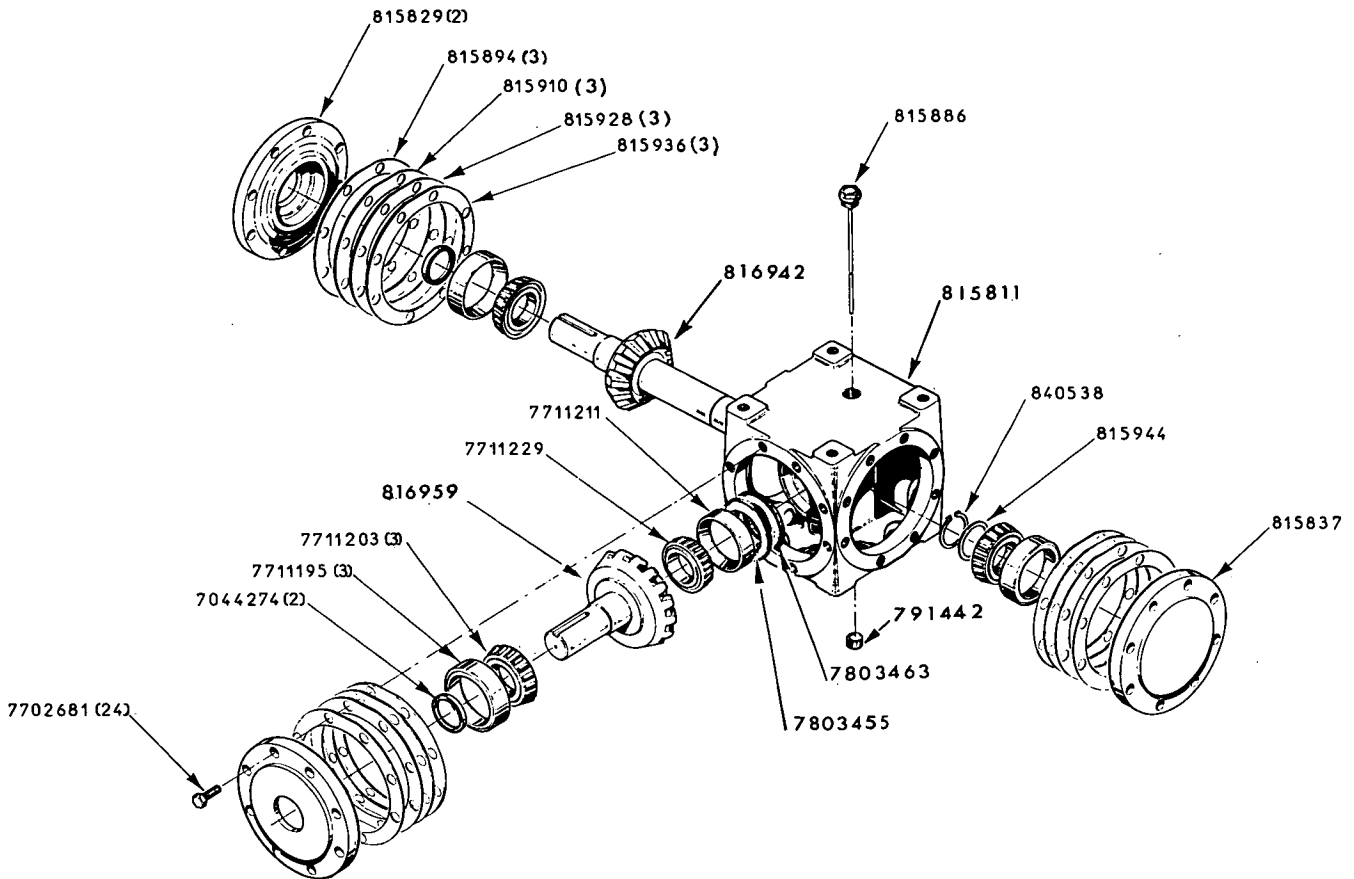
INHALTVERZEICHNIS

Winkelgetriebe	8
Glaenger-Transmission	9
Steuerung	10-11
Spanner und Durchbiegung	12-13
Abdeckungen	14
Heber	15
Linkes Chassis	16-17
Rechtes Chassis	18-19
Obere Rollen und Hintertüre	21
Untere Rollen, Förderband und Achsen	22-23
Hydraulik-Anlage	24-25
Hydraulik-Zylinder	26
Kit Abdeckung	26
Kit Abdeckung	27
Kit Manometer	27
Kit Riemenverbinder	28
Kit Klammern und Bänder	28
Kit Klammern und Bänder	29
Sachverzeichnis	30-31

INDICE

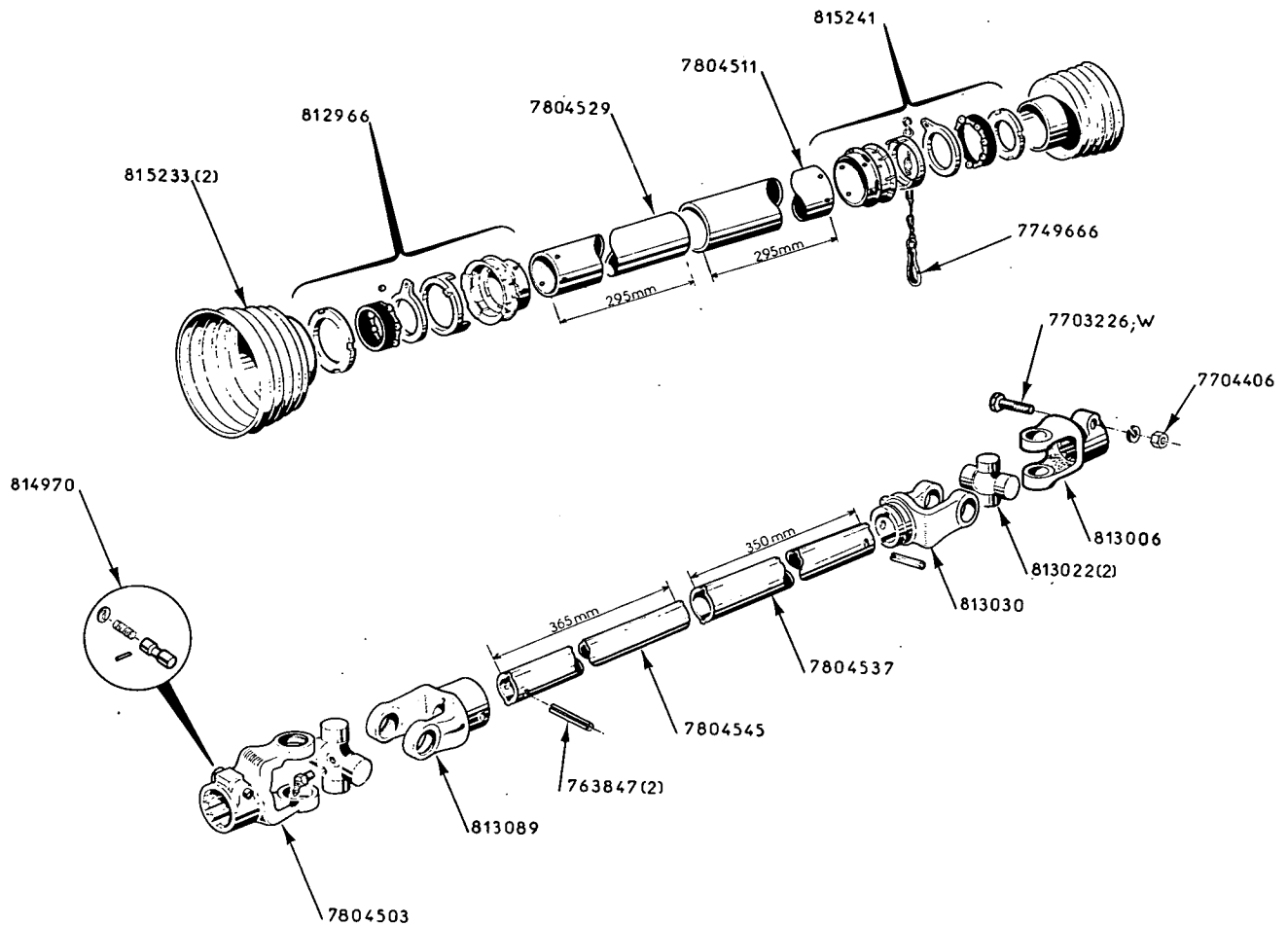
<i>Cambio (Rinvio d'angolo)</i>	8
<i>Trasmissione Glaenger</i>	9
<i>Comando</i>	10-11
<i>Bure e tenditore</i>	12-13
<i>Scatole (Carter)</i>	14
<i>Cilindro raccogliore</i>	15
<i>Telaio sinistro</i>	16-17
<i>Telaio destro</i>	18-19
<i>Rulli superiori e porta posteriore</i>	20-21
<i>Rulli inferiori, trasportatore a nastro e assale</i>	22-23
<i>Circuito idraulico</i>	24-25
<i>Martinetto idraulico</i>	26
<i>Kit rampa mobile di ricupero</i>	26
<i>Kit rampa di ricupero fissa</i>	27
<i>Kit manometro</i>	27
<i>Kit collegamento cinghie</i>	28
<i>Kit graffe e aghetti</i>	28
<i>Kit graffe e aghetti</i>	29
<i>Indice numerico</i>	30-31

GEARBOX

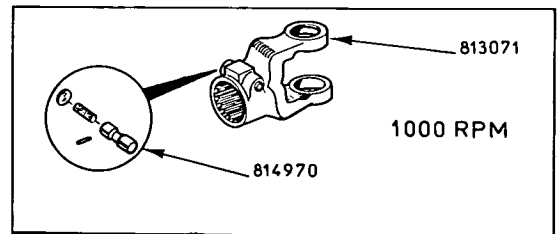


776187	(1)	Gear Box Complete
791442	(1)	Drain Plug \varnothing 1/2" Gaz
815811	(1)	Housing
815829	(2)	Cap
815837	(1)	Cap
815886	(1)	Dip Stick \varnothing 1/2 Gaz
815894	(3)	Shim 0,1
815910	(3)	Shim 0,2
815928	(3)	Shim 0,5
815936	(3)	Gasket ép. 0,1
815944	(1)	Special Washer
816942	(1)	13 T Gear With Shaft
816959	(1)	18 T Gear With Shaft
840538	(1)	Retaining Ring
7044274	(2)	Seal
7702681	(24)	M10-25 (C 6, 8) Cap Screw
7711195	(3)	Bearing Cup
7711203	(3)	Bearing Cone
7711211	(1)	Bearing Cup
7711229	(1)	Bearing Cone
7803455	()	Machinery Bushing 0,2
7803463	()	Machinery Bushing 0,5

PTO-U JOINT ASSEMBLY (GLAENZER)

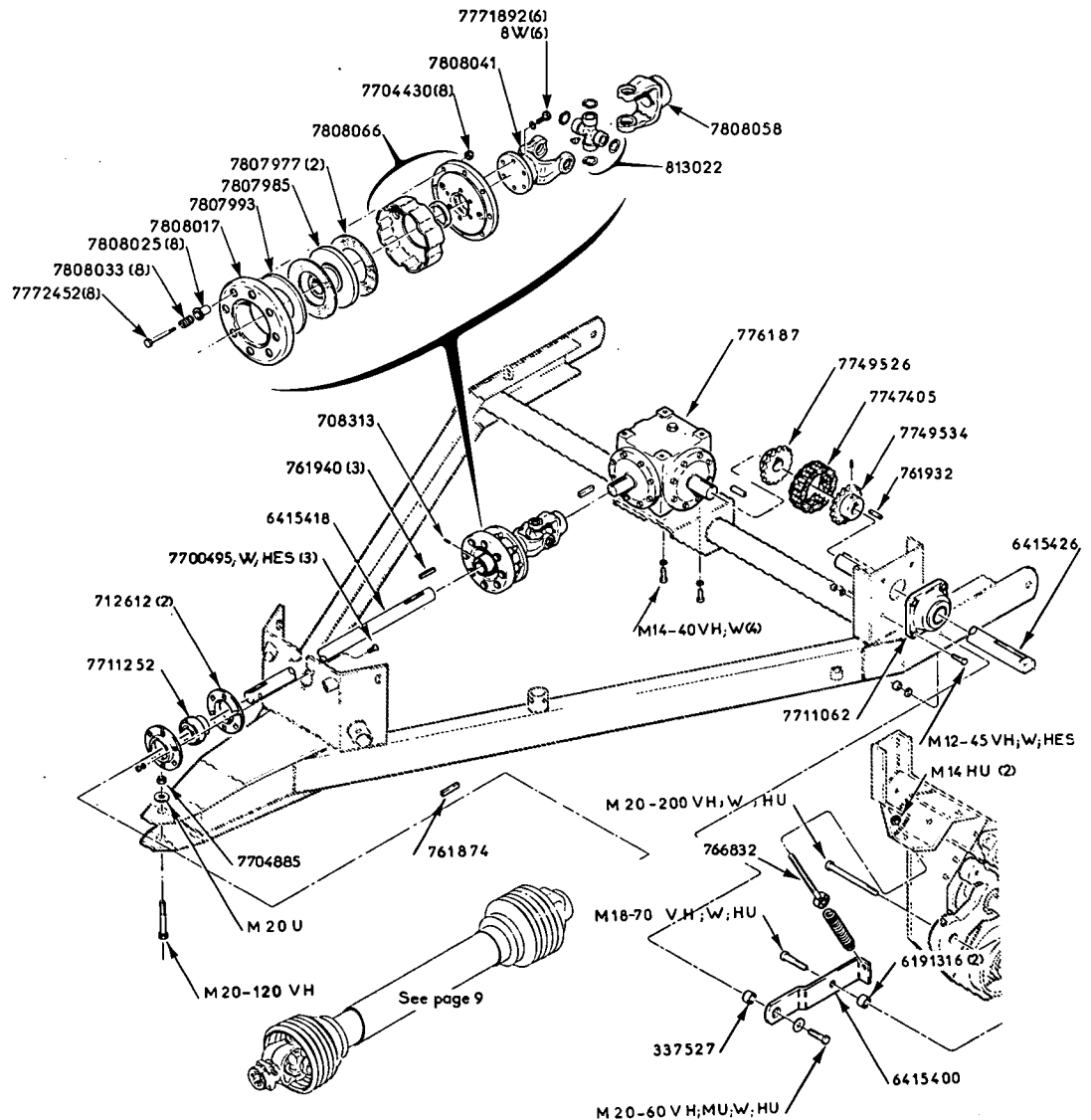


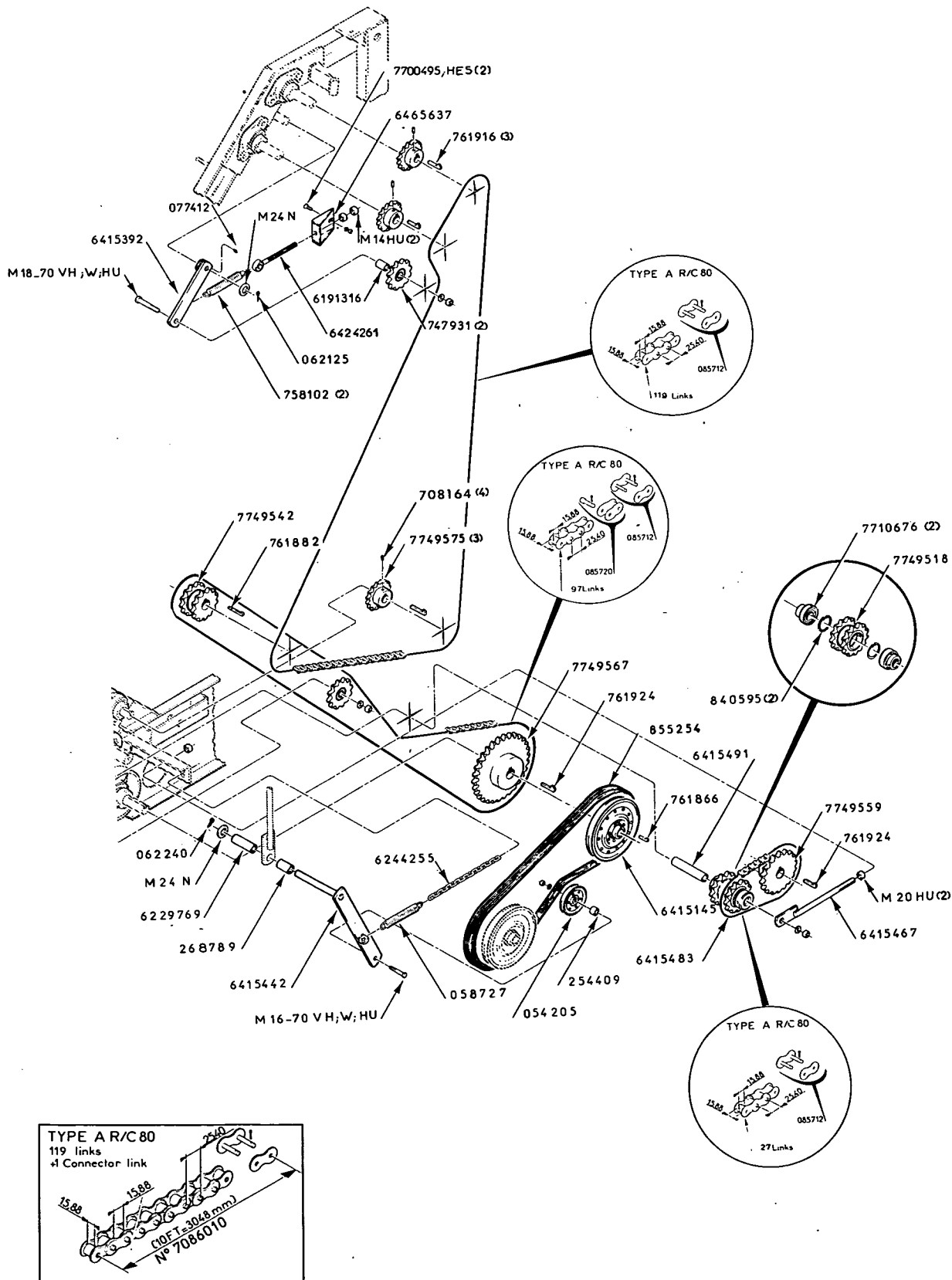
- | | | |
|---------|-----|---------------------------------|
| 7793086 | (1) | PTO U-Joint Assembly (Glaenger) |
| 763847 | (2) | 10 x 75 Roll Pin |
| 812966 | (1) | Locking |
| 813006 | (1) | Bored Yoke Dia : 35 |
| 813022 | (2) | Journal Repair Kit |
| 813030 | (1) | Groove Yoke for 2a Tube |
| 813089 | (1) | Groove Yoke for 1b Tube |
| 814970 | (1) | Locking |
| 815233 | (2) | Shield |
| 815241 | (1) | Locking |
| 7703226 | (1) | M12-70 (C 8.8) Cap Screw |
| 7704406 | (1) | M12 (C 8) Hex Nut |
| 7749666 | (1) | Chain |
| 7804503 | (1) | Yoke Clamp 1-3/8" 6 splines |
| 7804511 | (1) | Outer Shield |
| 7804529 | (1) | Inner Shield |
| 7804537 | (1) | Tube 2 a |
| 7804545 | (1) | Tube 1 b |
| 813071 | (1) | Yoke Clamp 1-3/8" 21 splines |
| 814970 | (1) | Locking |



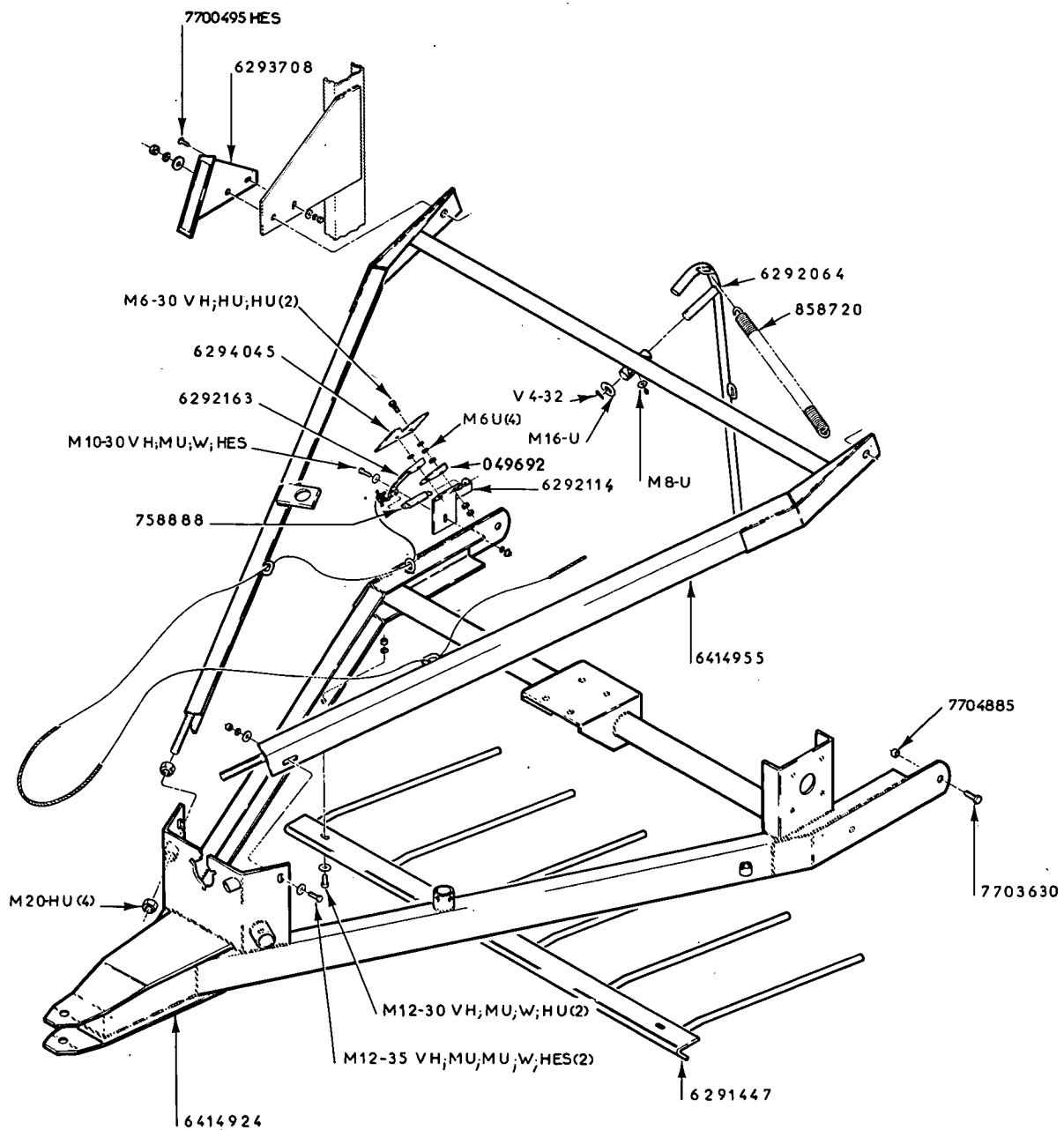
MAIN DRIVE ASSEMBLY

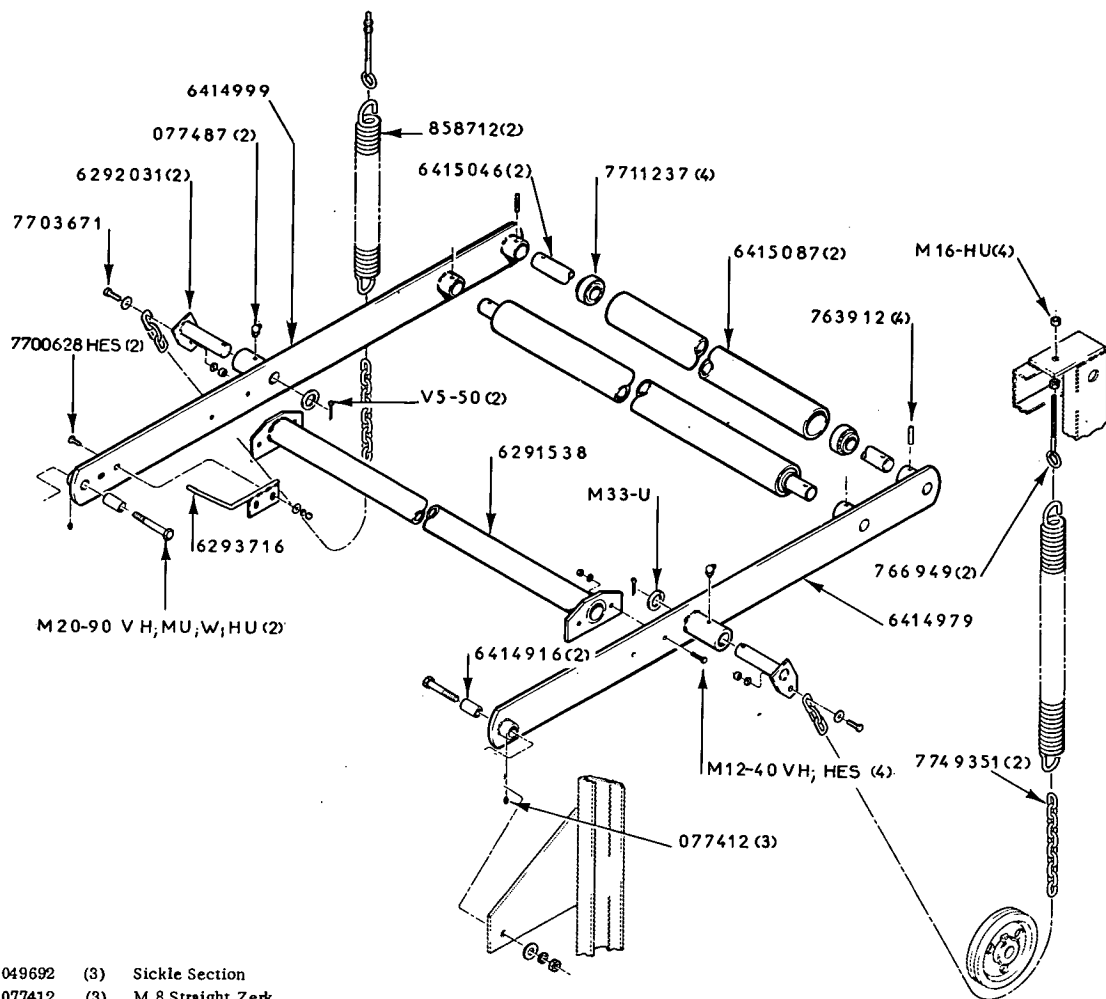
054205 (1)	Flat Idler, 4-5/8" Dia	766832 (1)	Draw Bolt	7710676 (2)	Cylindrical Bearing
058727 (1)	Spring	776187 (1)	Gear Box	7711062 (1)	Bearing Block Assembly
062125 (1)	V 3,2-40 Cotter Pin	813022 (1)	Journal Repair Kit	7711252 (1)	Bearing
062240 (1)	V 5-36 Cotter Pin	840595 (2)	Snap Ring	7747405 (1)	Coupling Double Strand Roller Chain
077412 (1)	M 8 Straight Zerk	8552054 (1)	V-Belt	7749518 (1)	Double Socket
085712 (3)	Connector Link	6191316 (3)	Spacer	7749526 (1)	Coupling Half
085720 (1)	Offset Link	6229769 (1)	Bushing	7749534 (1)	Coupling Half
254409 (1)	Spacer	6244255 (1)	Chain, 15 Links	7749542 (1)	13 Tooth Double Sprocket
268789 (1)	Collar	6415145 (1)	Sheave	7749559 (1)	18 Tooth Sprocket
337527 (1)	Spacer	6415392 (1)	Bracket	7749567 (1)	30 Tooth Sprocket
708164 (4)	M8-20 (C 10,9) Socket Set Screw	6415400 (1)	Strap Idler	7749575 (3)	13 Tooth Sprocket
708313 (1)	M 10-20 Socket Set Screw	6415418 (1)	Shaft, Primary	7771892 (6)	M8 x 18 (C8,8) Cap Screw
712612 (2)	Flange	6415426 (1)	Shaft	7772452 (8)	M8 x 65 (C8,8) Cap Screw
747931 (2)	Idler Sprocket, 12 Tooth	6415442 (1)	Bracket, Idler	7807977 (2)	Disc Clutch
758102 (2)	Tension Spring	6415467 (1)	Rod	7807985 (1)	Hub
761866 (1)	8 x 7 x 40 Gib Key	6415483 (1)	Sprocket Assembly	7807993 (1)	Disc
761874 (2)	10 x 8 x 63 Key	6415491 (1)	Tube	7808017 (1)	Compression Disc
761882 (1)	14 x 9 x 86 Gib Key	6424261 (1)	Draw Bolt	7808025 (8)	Spring Box
761916 (3)	10 x 8 x 50 Gib Key	6465637 (1)	Bracket	7808033 (8)	Compression Spring
761924 (2)	12 x 8 x 60 Gib Key	7700495 (5)	M10-25 (C8,8) Carriage Bolt	7808041 (1)	Yoke Plate
761932 (1)	14 x 9 x 50 Key	7704430 (8)	M8 Lock Nut	7808058 (1)	Yoke Splined
761940 (3)	10 x 8 x 50 Key	7704885 (1)	M20 Lock Nut	7808066 (1)	Box





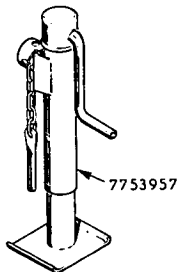
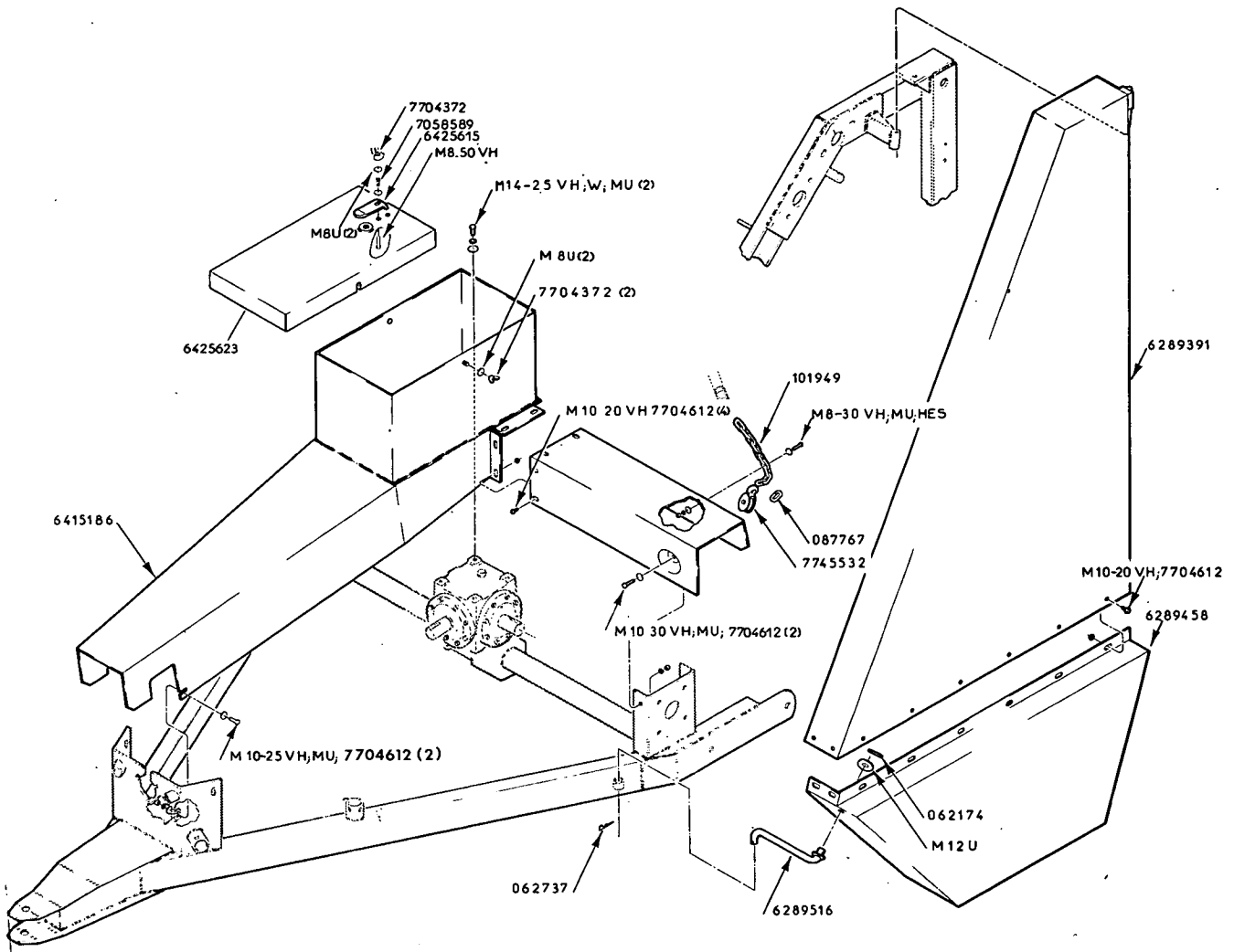
TONGUE, A-FRAME AND IDLERS ASSEMBLY





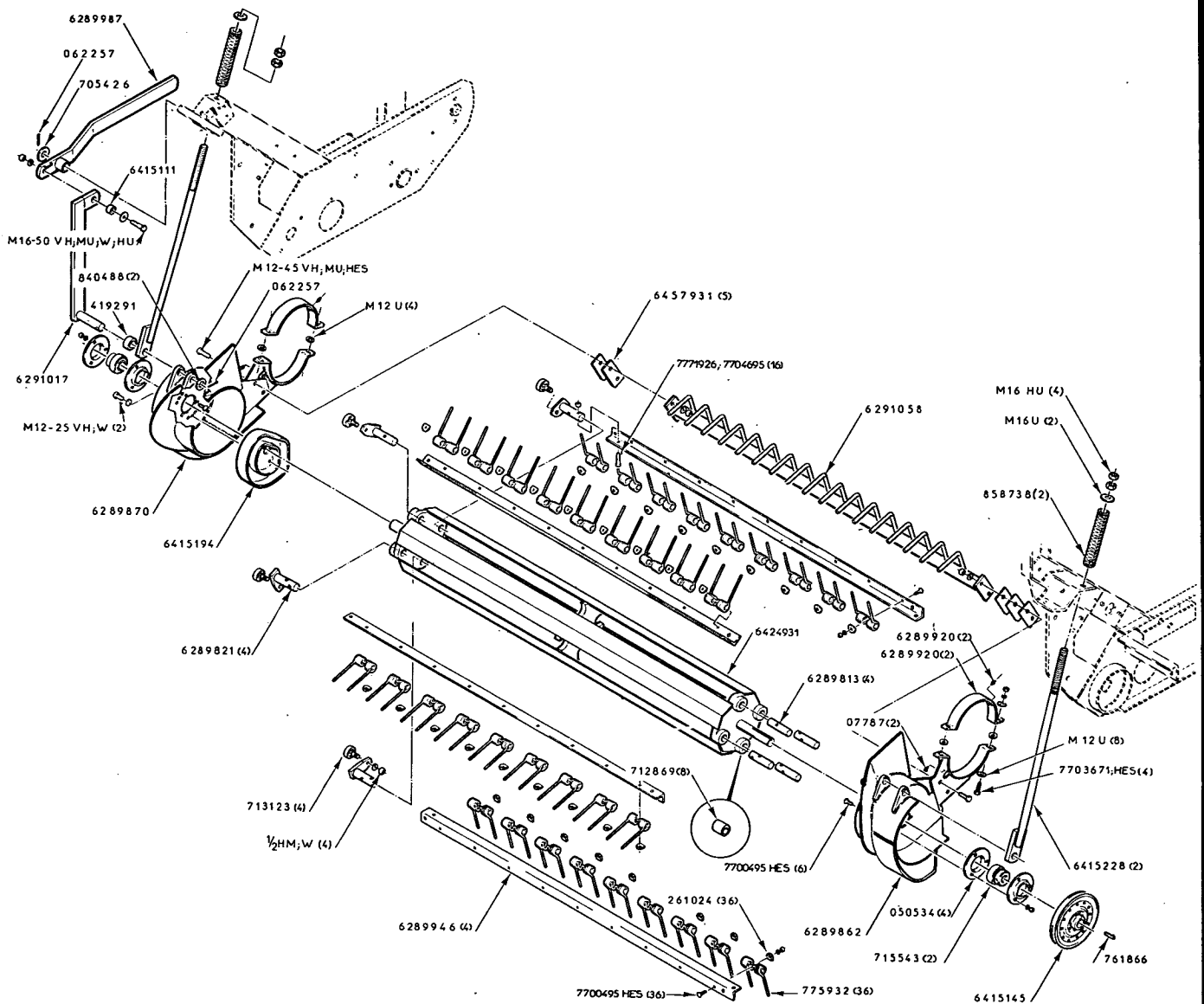
- 049692 (3) Sickle Section
- 077412 (3) M 8 Straight Zerk
- 077487 (2) M 8-90° Zerk
- 758888 (1) Extension Spring
- 763912 (4) 8 x 45 Roll Pin
- 766949 (2) Draw Bolt
- 858712 (2) Extension Spring
- 858720 (1) Extension Spring
- 6291447 (1) Guard
- 6291538 (1) Cross Pipe
- 6292031 (2) Anchor
- 6292064 (1) Tube, Twine
- 6292114 (1) Mount
- 6292163 (1) Cutter
- 6293708 (1) Gauge
- 6293716 (1) Indicator
- 6294045 (1) Shield
- 6414916 (2) Spacer
- 6414924 (1) Frame
- 6414965 (1) Brace
- 6414999 (1) Right Lift Arm
- 6415046 (2) Shaft, Roller
- 6415053 (1) Left Lift Arm
- 6415087 (2) Roller
- 7700495 (1) M10-25 (C 8.8) Carriage Bolt
- 7700628 (1) M10-40 (CI 8.8) Carriage Bolt
- 7703630 (1) M20-40 (C 8.8) Cap Screw
- 7703671 (1) M12-40 (C 8.8) Cap Screw
- 7704885 (1) M20 (C 6) Lock Nut
- 7711237 (4) Cylindrical Bearing
- 7749351 (2) Chain

SHIELDS ASSEMBLY



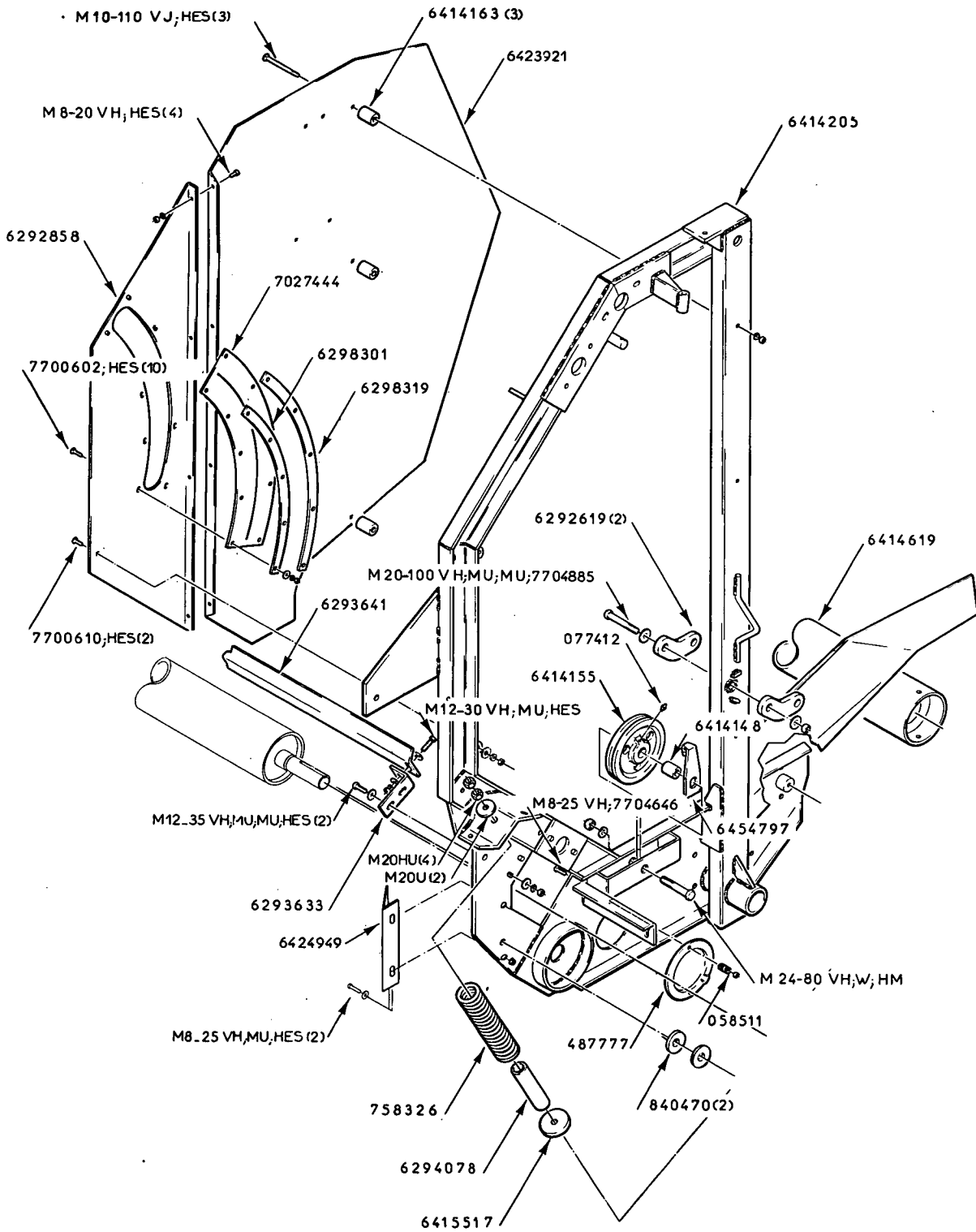
- | | | |
|---------|------|-----------------------------------|
| 062174 | (1) | 4 x 25 Cotter Pin |
| 062737 | (1) | Dia 3 Hair Pin Cotter |
| 087767 | (1) | End Lap Link |
| 101949 | (1) | Chain, 10 Links |
| 6289383 | (1) | Shield Drive |
| 6289391 | (1) | Shield Upper |
| 6289458 | (1) | Shield Lower |
| 6289516 | (1) | Rod |
| 6415186 | (1) | Shield Drive |
| 6425615 | (1) | Twine Tension |
| 6425623 | (1) | Cover, Twine Box |
| 7058589 | (1) | Spring |
| 7704372 | (2) | M8 (C5) Wing Nut |
| 7704612 | (12) | M10 (C8) Flange Serrated Lock Nut |
| 7745532 | (1) | Auning Pulley, 5/16" |
| 7753957 | (1) | Jack |

PICK-UP ASSEMBLY

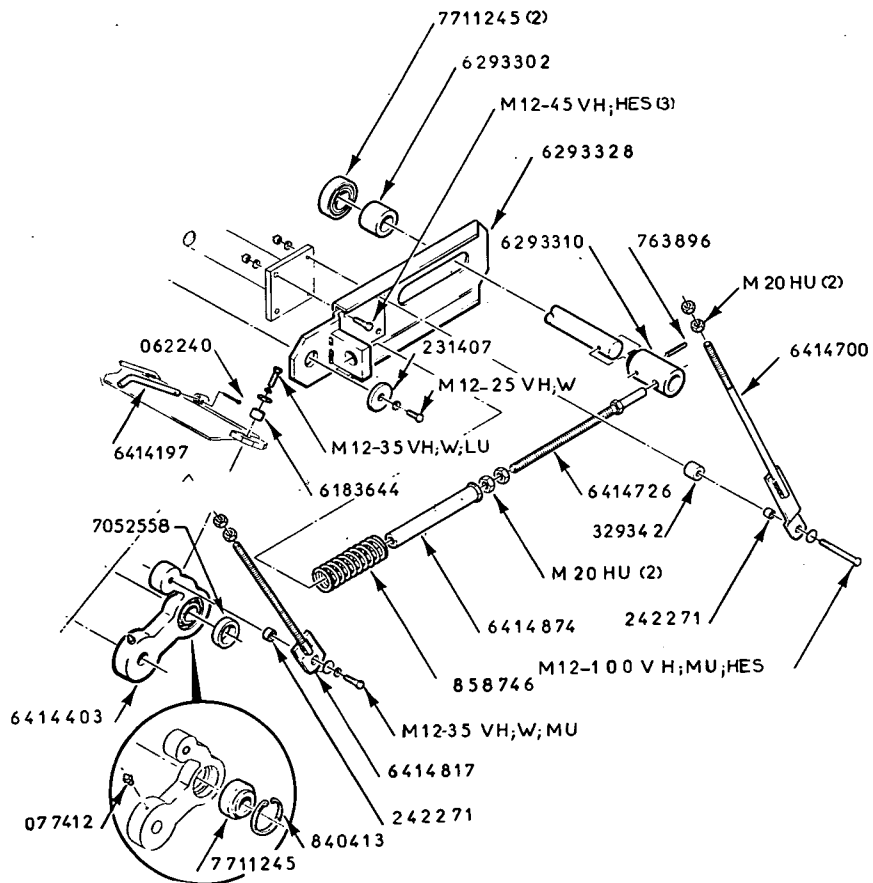


- | | | | |
|-------------|--------------------|--------------|------------------------------|
| 050534 (4) | Flange | 6289870 (1) | Panel, right |
| 062257 (2) | 5 x 40 Cotter Pin | 6289920 (2) | Clamp |
| 077412 (2) | M8 Straight Zerk | 6289946 (4) | Angle |
| 077487 (2) | M8 x 90° Zerk | 6289987 (1) | Lever |
| 261024 (36) | Clip | 6291017 (1) | Arm |
| 419291 (1) | Bushing | 6291058 (1) | Brace |
| 705426 (1) | Flat Washer dia 24 | 6415111 (1) | Spacer |
| 712869 (8) | Tine Bearing | 6415145 (1) | Sheave |
| 713123 (4) | Came Bearing | 6415194 (1) | Cam Track |
| 714543 (2) | Bearing | 6415228 (2) | Rod |
| 761866 (1) | 8 x 7 x 40 Gib Key | 6424931 (1) | Header |
| 775932 (36) | Double Tine | 6457931 (5) | Shim |
| 840488 (2) | Machinery Bushing | 7700495 (42) | M10-25 (C 8.8) Carriage Bolt |
| 858738 (2) | Compress. Spring | 7703671 (4) | M12-40 (C 8.8) Cap Screw |
| 6289813 (4) | Pin | 7704695 (16) | M12 (C 6) Lock Nut |
| 6289821 (4) | Pin | 7771926 (16) | M12-50 (CI 8.8) Cap Screw |
| 6289862 (1) | Panel, left | | |

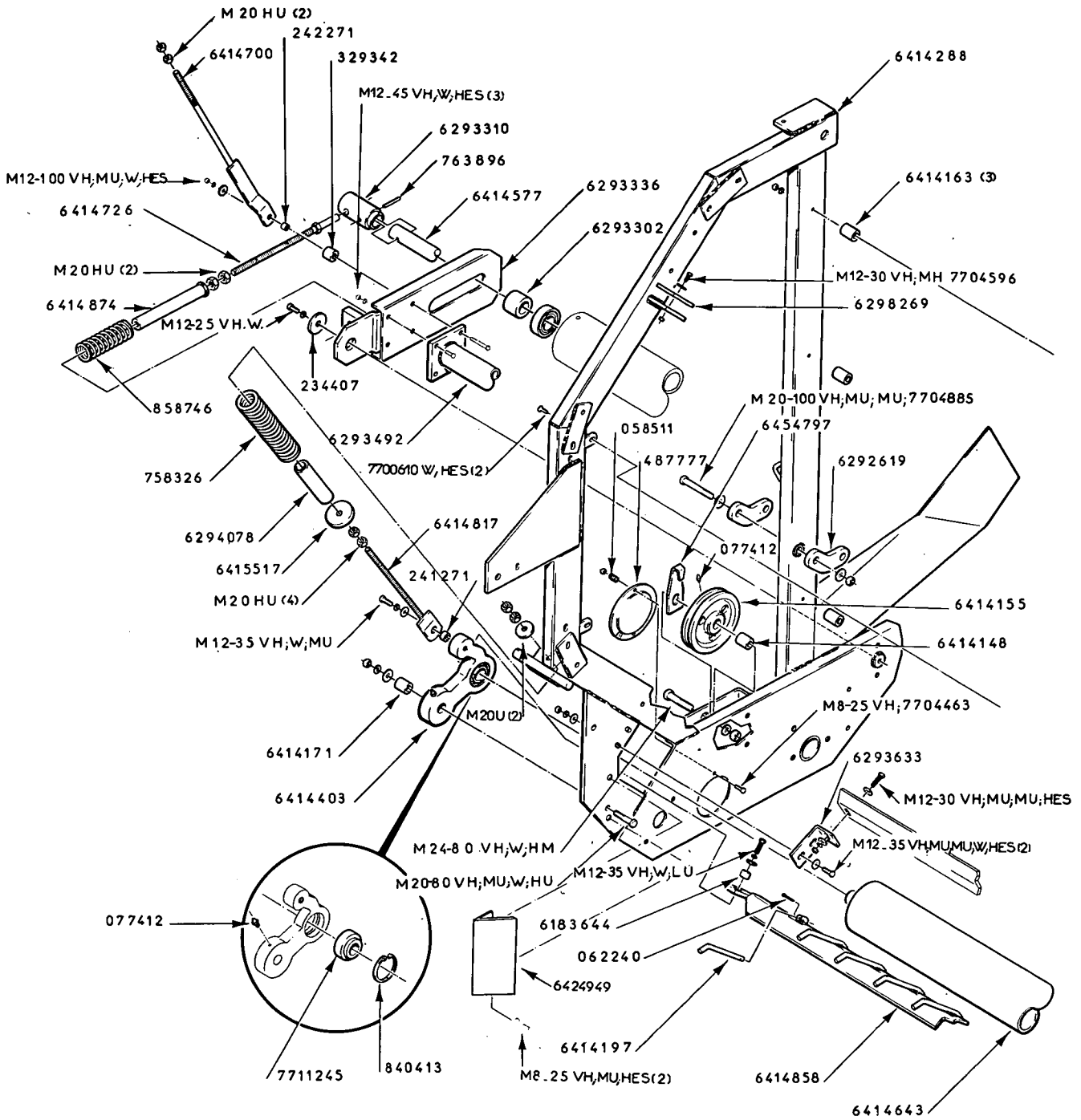
LEFT MAIN FRAME ASSEMBLY

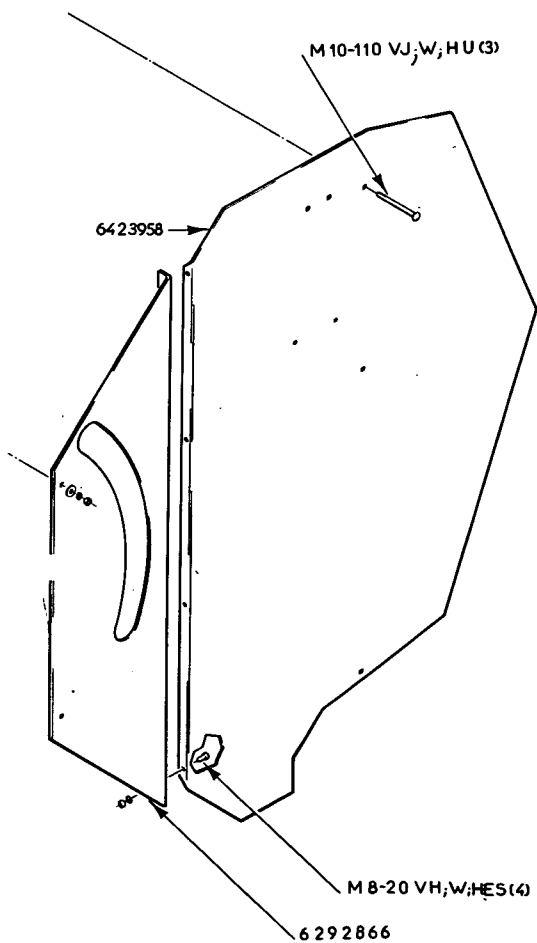


058511	(1)	Spring	6298319	(1)	Rear Strap
062240	(1)	5 x 36 Cotter Pin	6414148	(1)	Spacer
077412	(2)	M 8 Straight Zerk	6414155	(1)	Idler-Cable
231407	(1)	Washer	6414163	(3)	Spacer
242271	(2)	Washing	6414197	(1)	Rod
329342	(1)	Spacer	6414205	(1)	Left Frame
487777	(1)	Cover	6414403	(1)	Roller Mount Assembly
758326	(1)	Spring	6414627	(1)	Roller
763896	(1)	8 x 60 Roll Pin	6414700	(1)	Rod
840413	(1)	Retainer Ring	6414726	(1)	Rod
840470	(2)	Machinery Bushing	6414817	(1)	Rod
858746	(1)	Spring	6414874	(1)	Tube
6183644	(1)	Spacer	6415517	(1)	Plate Washer
6292619	(2)	Cylinder Mounting Frame	6423921	(1)	Left Rear Shield
6292858	(1)	Left Front Shield	6424949	(1)	Deflector
6293302	(1)	Spacer	6454797	(1)	Sheave Scraper
6293310	(1)	Tube Mount	7027444	(1)	Rubber Belting
6293328	(1)	Left Anchor	7052558	(1)	Tighten ring
6293633	(1)	Bracket	7700602	(1)	M 6 x 25 (C 8.8) Carriage Bolt
6293641	(1)	Scraper	7700610	(1)	M 8 x 20 (C 8.8) Carriage Bolt
6294078	(1)	Tube	7704646	(1)	M 8 (C 6) Lock Nut
6298301	(1)	Front Strap	7704885	(1)	M 20 (C 6) Lock Nut
			7711245	(3)	Bearing



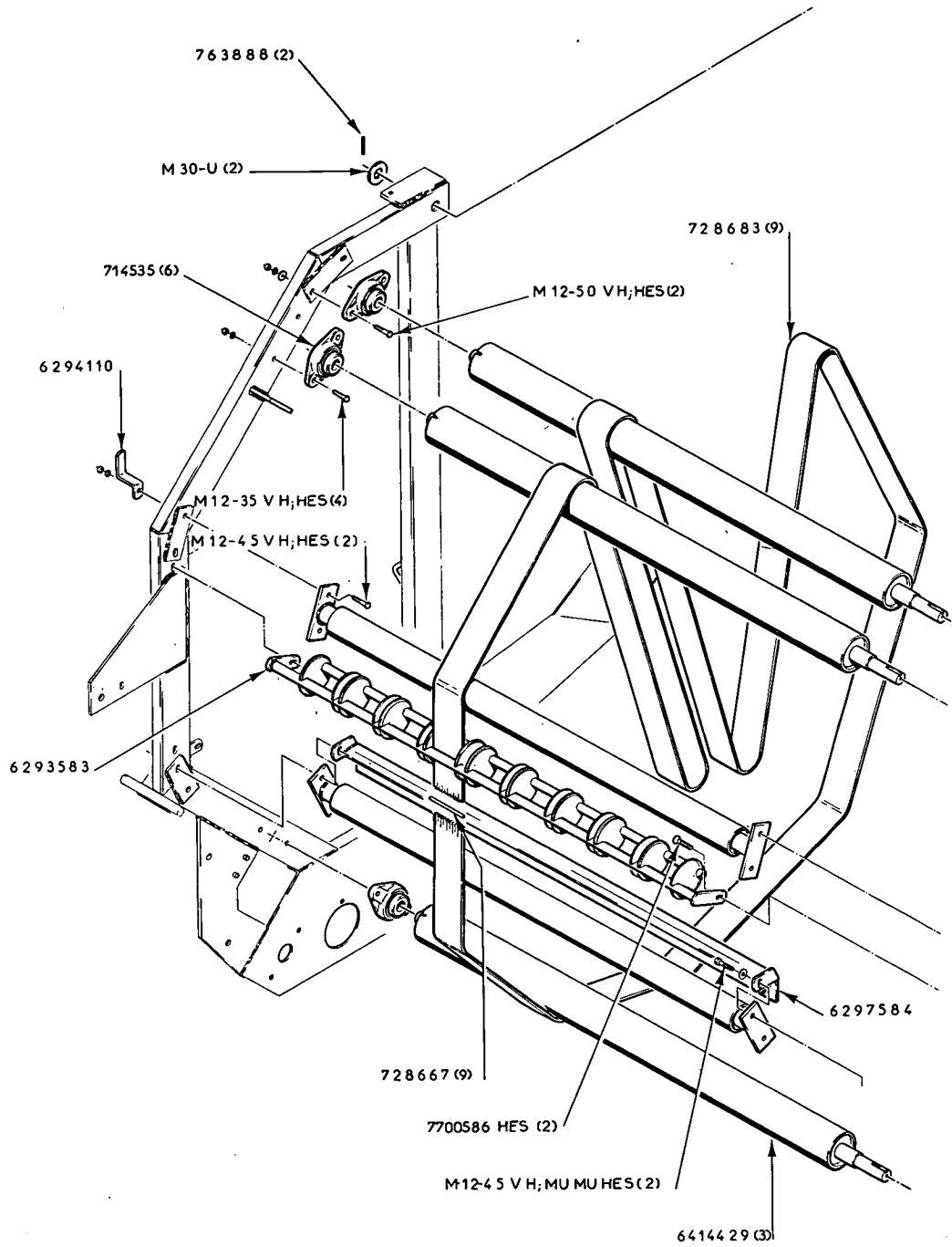
RIGHT MAIN FRAME ASSEMBLY



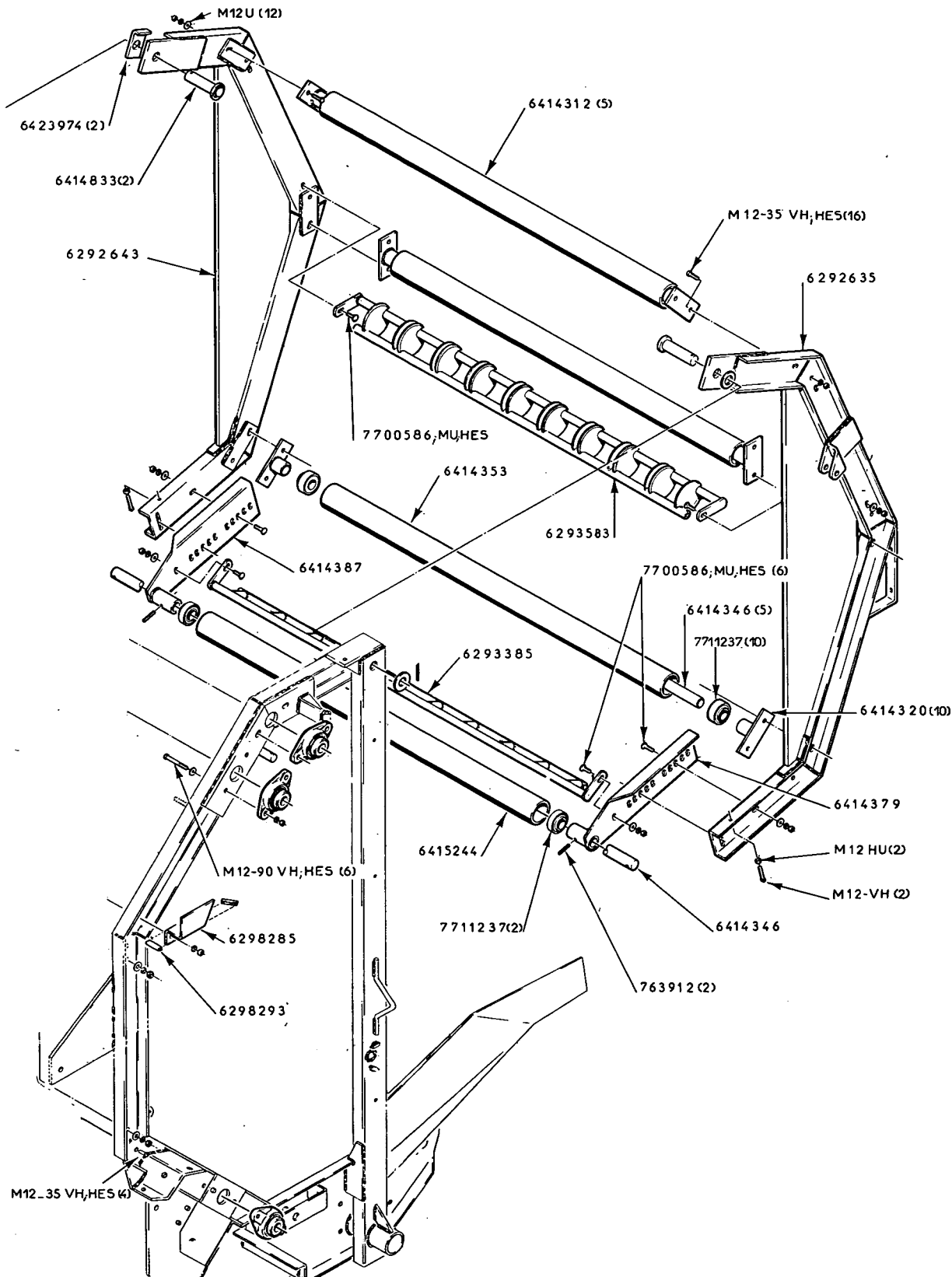


058511	(1)	Spring
062240	(1)	5 x 36 Cotter Pin
077412	(1)	M 8 Straight Zerk
231407	(1)	Washer
242271	(2)	Bushing
329342	(1)	Spacer
487777	(1)	Cover
758326	(1)	Spring
763896	(1)	5 x 36 Roll Pin
840413	(1)	Retainer Ring
858746	(1)	Spring
6183644	(1)	Spacer
6292619	(2)	Cylinder Mounting Arm
6292866	(1)	Right Front Shield
6293302	(1)	Spacer
6293310	(1)	Tube Mount
6293336	(1)	Right Anchor
6293492	(1)	Brace
6293633	(1)	Bracket
6294078	(1)	Tube
6298269	(1)	Gauge
6414148	(1)	Spacer
6414155	(1)	Idler, Cable
6414163	(3)	Spacer
6414171	(1)	Bushing
6414197	(1)	Rod
6414288	(1)	Right Frame
6414403	(1)	Roller Mount Assembly
6414577	(1)	Shaft
6414643	(1)	Front Roller
6414700	(1)	Rod
6414726	(1)	Rod
6414817	(1)	Rod
6414858	(1)	Scraper
6414874	(1)	Tube
6415517	(1)	Plate Washer
6423958	(1)	Right Rear Shield
6424949	(1)	Deflector
6544797	(1)	Sheave Scraper
7700610	(2)	M8-25 (C 8,8) Carriage Bolt
7704463	(1)	M8 (C 6) Lock Nut
7704596	(1)	M12 (C 6) Lock Nut
7704885	(1)	M20 (C 6) Lock Nut
7711245	(1)	Bearing

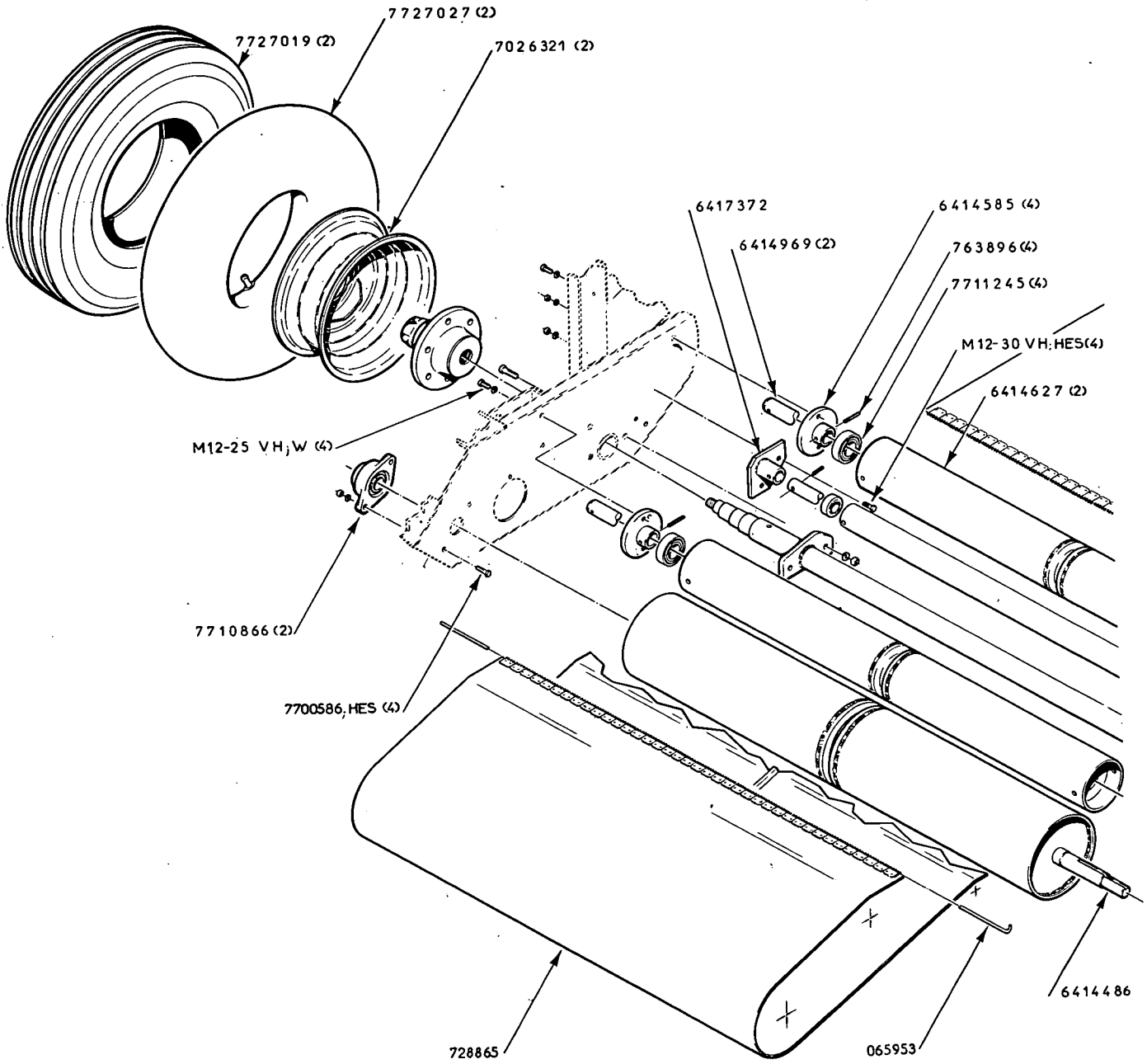
UPPER ROLLERS AND REAR GATE ASSEMBLY



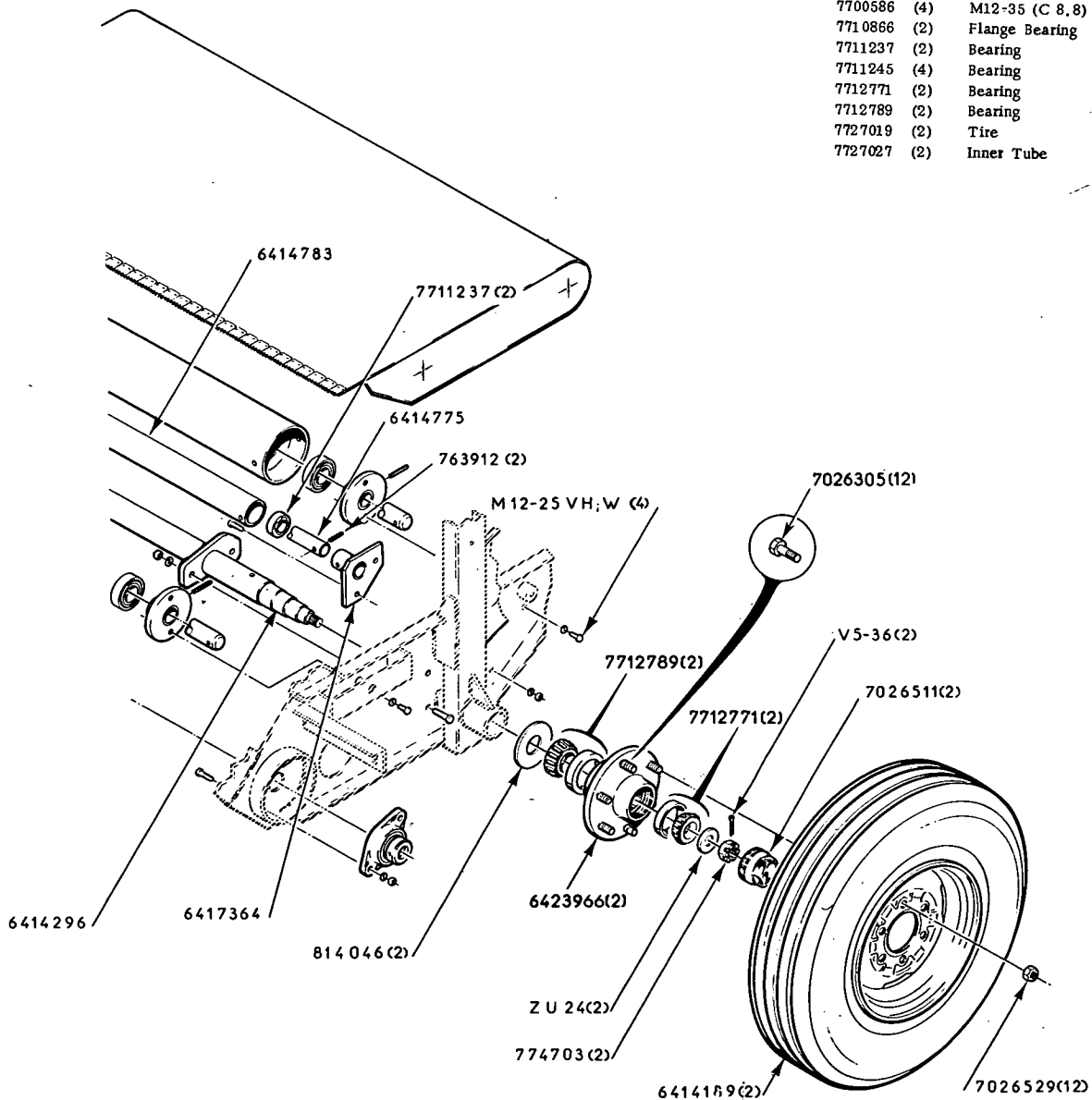
- 714535 (6) Block Assembly
- 728667 (9) Lacing Pin
- 728683 (9) Upper Belt
- 763888 (2) 8 x 55 Roll Pin
- 763912 (2) 6 x 45 Roll Pin
- 6292635 (1) Left Gate
- 6292643 (1) Right Gate
- 6293385 (1) Guide
- 6293583 (2) Guide
- 6294110 (1) Right Bracket
- 6297584 (1) Scraper
- 6298285 (1) Left Support Bracket
- 6298293 (2) Clip
- 6414320 (10) End Bracket
- 6414346 (6) Shaft
- 6414361 (5) Roller
- 6414379 (1) Left Bracket
- 6414387 (1) Right Bracket
- 6414429 (3) Roller
- 6414833 (2) Pin
- 6415384 (1) Roller
- 6423974 (2) Machinery Bushing
- 7700586 (10) M12-35 (C 8, 8) Carriage Bolt
- 7711237 (12) Bearing



LOWER CONVEYOR, BELT, ROLLERS AND WHEELS

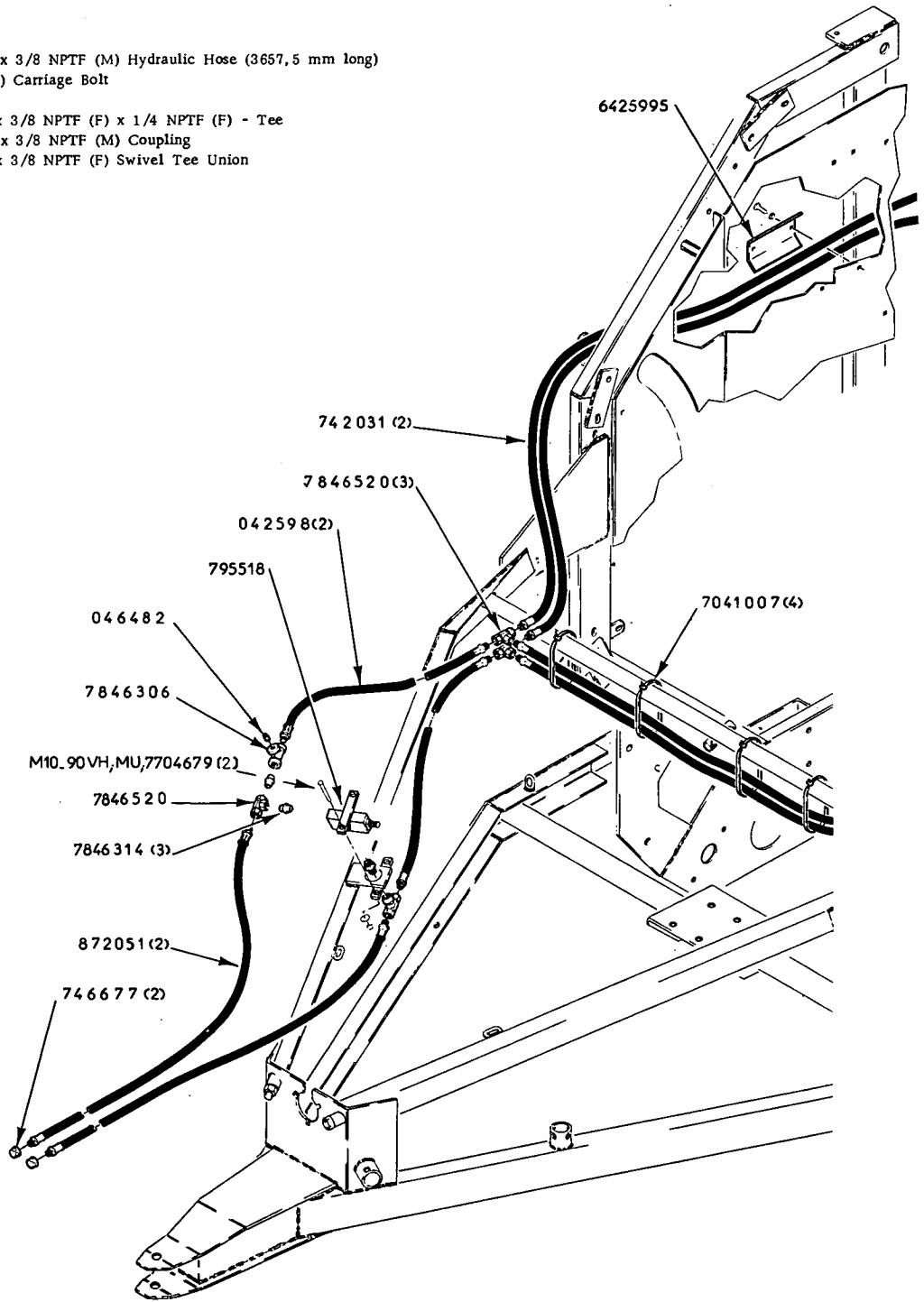


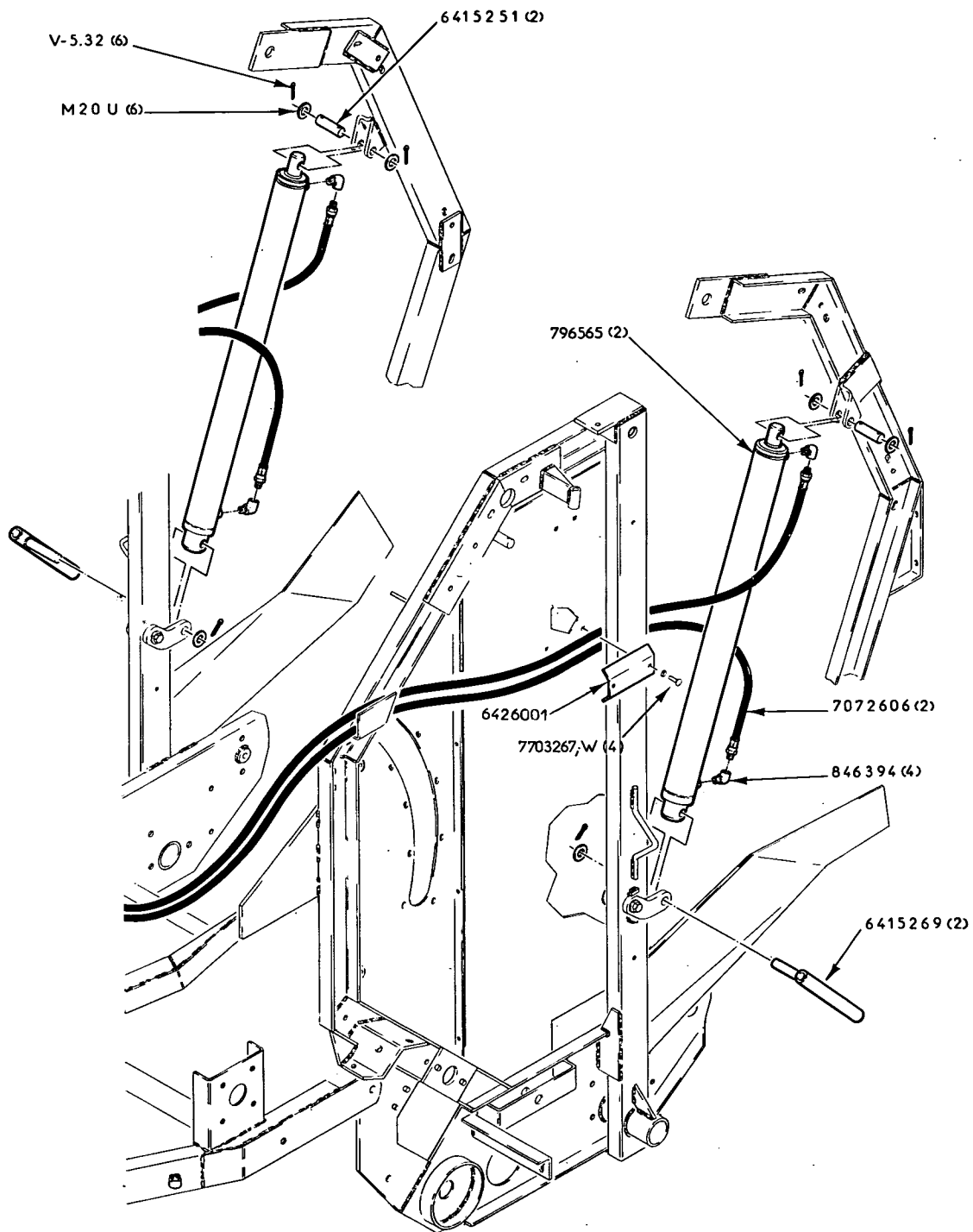
- | | | |
|---------|------|-------------------------------|
| 065953 | (1) | Lacing Pin |
| 728865 | (1) | Lower Belt |
| 763896 | (4) | 8 x .60 Roll Pin |
| 763912 | (2) | 6 x .45 Roll Pin |
| 774703 | (2) | M24-200 Slotted Nut |
| 814046 | (2) | Special Washer |
| 6414189 | (2) | Wheel Assembly |
| 6414296 | (1) | Axle |
| 6414486 | (1) | Roller |
| 6414569 | (2) | Shaft |
| 6414585 | (4) | Shaft Support |
| 6414627 | (2) | Roller |
| 6414775 | (1) | Shaft |
| 6414791 | (1) | Roller |
| 6417364 | (1) | End Bracket, Left |
| 6417372 | (2) | End Bracket, Right |
| 6423966 | (2) | Hub |
| 7026305 | (12) | Wheel Bolt |
| 7026388 | (2) | Wheel |
| 7026511 | (2) | Hub Cap |
| 7026529 | (12) | Wheel Nut |
| 7700586 | (4) | M12-35 (C 8, 8) Carriage Bolt |
| 7710866 | (2) | Flange Bearing |
| 7711237 | (2) | Bearing |
| 7711245 | (4) | Bearing |
| 7712771 | (2) | Bearing |
| 7712789 | (2) | Bearing |
| 7727019 | (2) | Tire |
| 7727027 | (2) | Inner Tube |



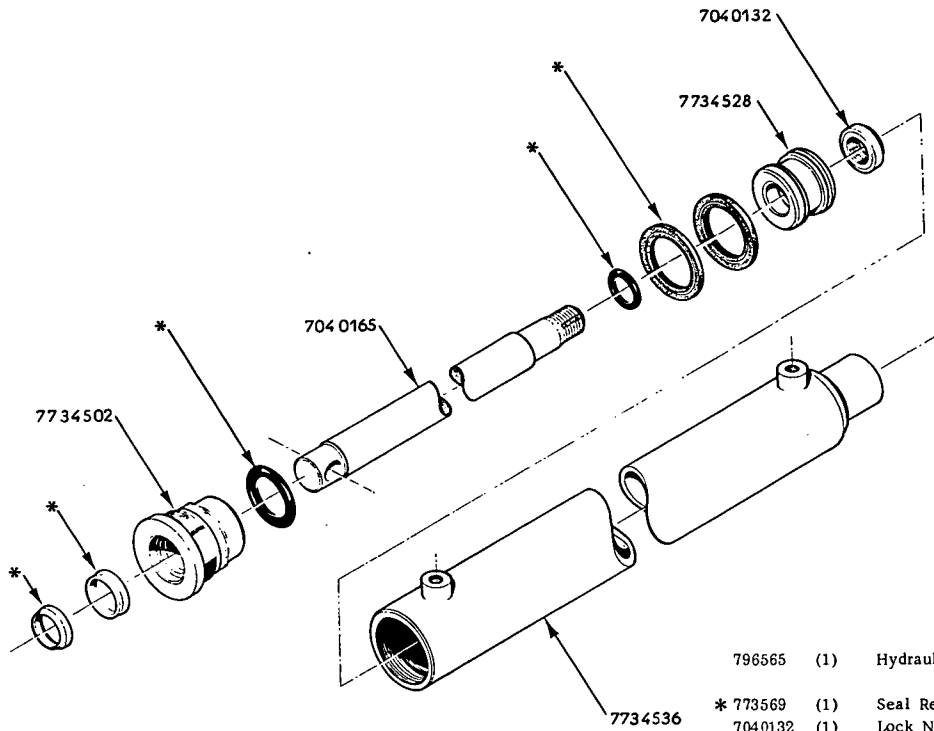
REAR GATE HYDRAULIC ASSEMBLY

- 042598 (2) 3/8 NPTF (M) x 3/8 NPTF (M) Hydraulic Hose (863,5 mm long)
- 046482 (1) 1/4 NPTF (M) Square Head Plug
- 742031 (2) 3/8 NPTF (M) x 3/8 NPTF (M) Hydraulic Hose (2438 mm long)
- 746677 (2) 1/2 NPTF (F) Cap
- 795518 (1) Hydraulic Relief Valve
- 796565 (2) Hydraulic Cylinder
- 846394 (4) 3/8 NPTF (M) x 3/8 NPTF (F) x 90° Elbow
- 872051 (2) 1/2 NPTF (M) x 1/2 NPTF (M) Hydraulic Hose (1980 mm long)
- 6415251 (2) Clevis Pin
- 6415269 (2) Cylinder Pin
- 6425995 (1) Shield
- 6426001 (1) Shield
- 7041007 (4) Cable Tie
- 7072606 (2) 3/8 NPTF (M) x 3/8 NPTF (M) Hydraulic Hose (3657,5 mm long)
- 7703267 (4) M10-40 (C 8,8) Carriage Bolt
- 7704679 (2) Lock Nut
- 7846306 (1) 3/8 NPTF (F) x 3/8 NPTF (F) x 1/4 NPTF (F) - Tee
- 7846314 (3) 3/8 NPTF (M) x 3/8 NPTF (M) Coupling
- 7846520 (4) 3/8 NPTF (F) x 3/8 NPTF (F) Swivel Tee Union



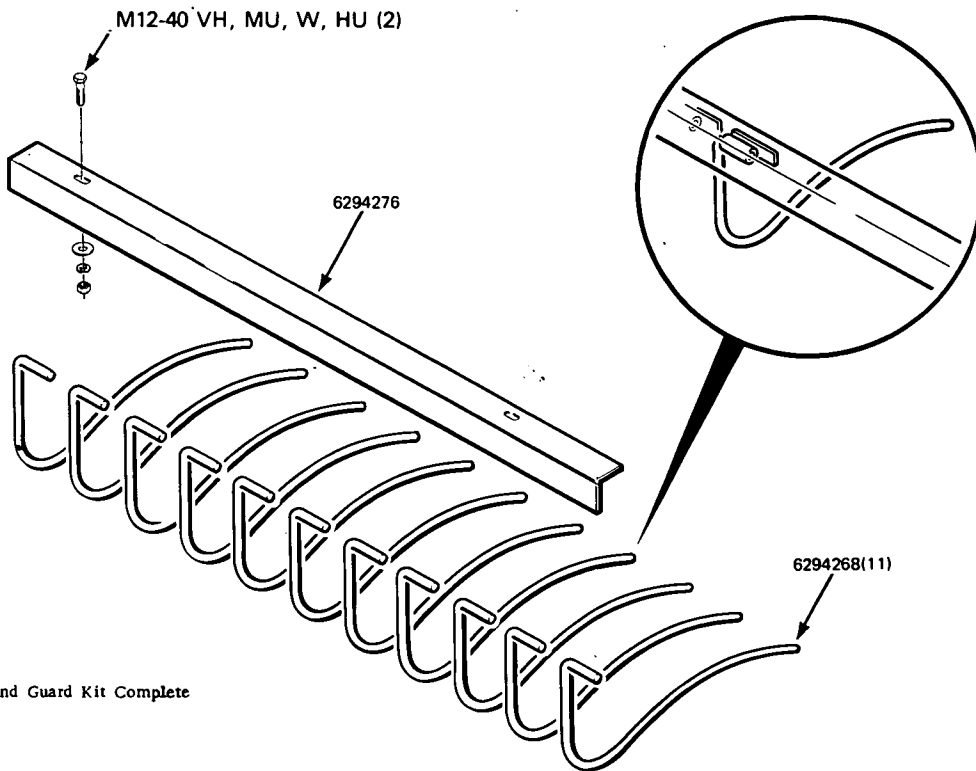


HYDRAULIC CYLINDER ASSEMBLY



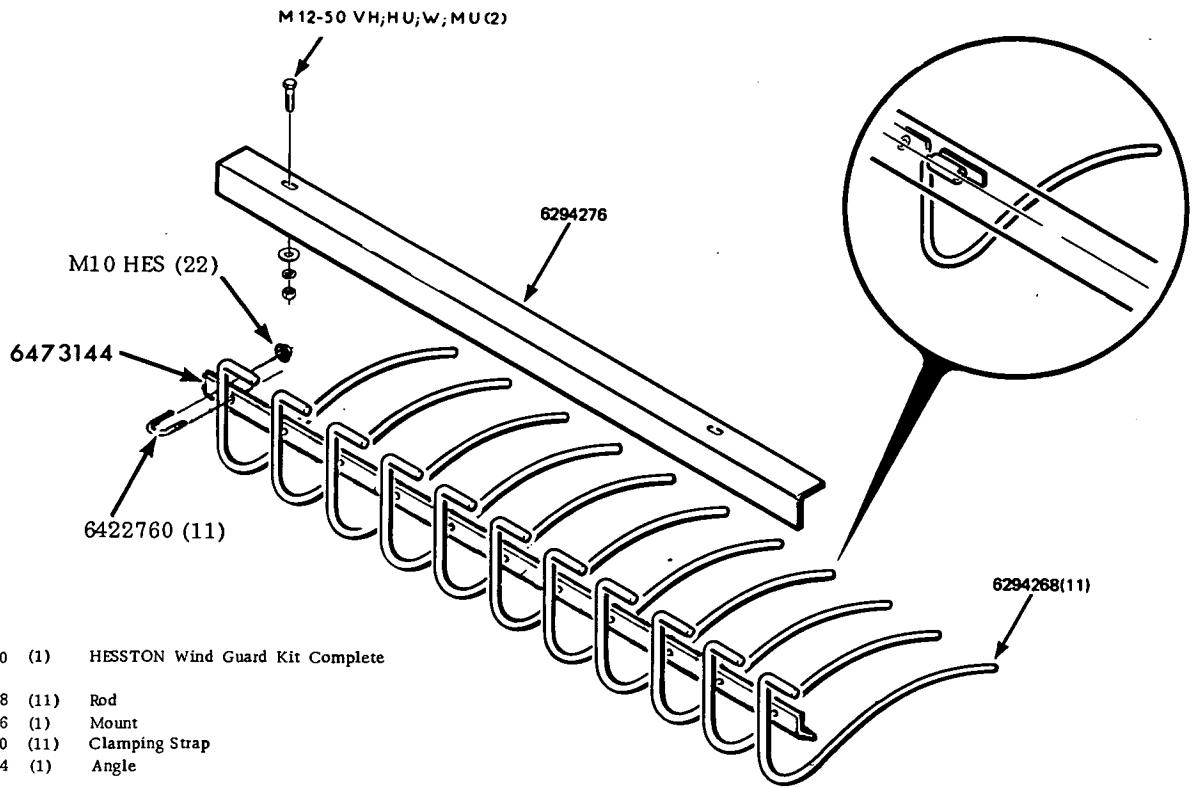
- | | | |
|----------|-----|--|
| 796565 | (1) | Hydraulic Cylinder Complete |
| * 773569 | (1) | Seal Repair Kit (includes items marked with asterisks) |
| 7040132 | (1) | Lock Nut |
| 7040165 | (1) | Piston Rod |
| 7734502 | (1) | Gland |
| 7734528 | (1) | Piston |
| 7734536 | (1) | Barrel |

PICK-UP WINDROW GUARD KIT



- | | | |
|---------|------|---------------------------------|
| 9980566 | (1) | HESSTON Wind Guard Kit Complete |
| 6294268 | (11) | Rod |
| 6294276 | (1) | Mount |

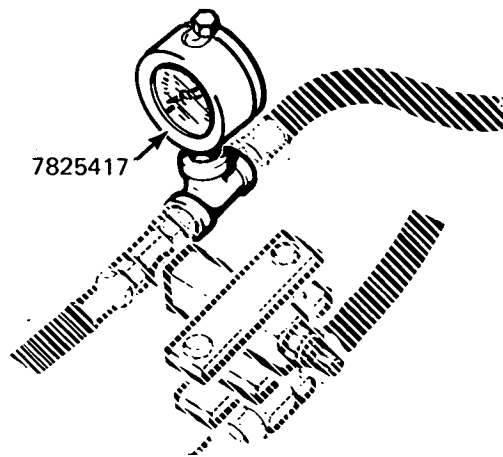
PICK-UP WINDROW GUARD KIT



- 9980350 (1) HESSTON Wind Guard Kit Complete
- 6294268 (11) Rod
- 6294276 (1) Mount
- 6422760 (11) Clamping Strap
- 6473144 (1) Angle

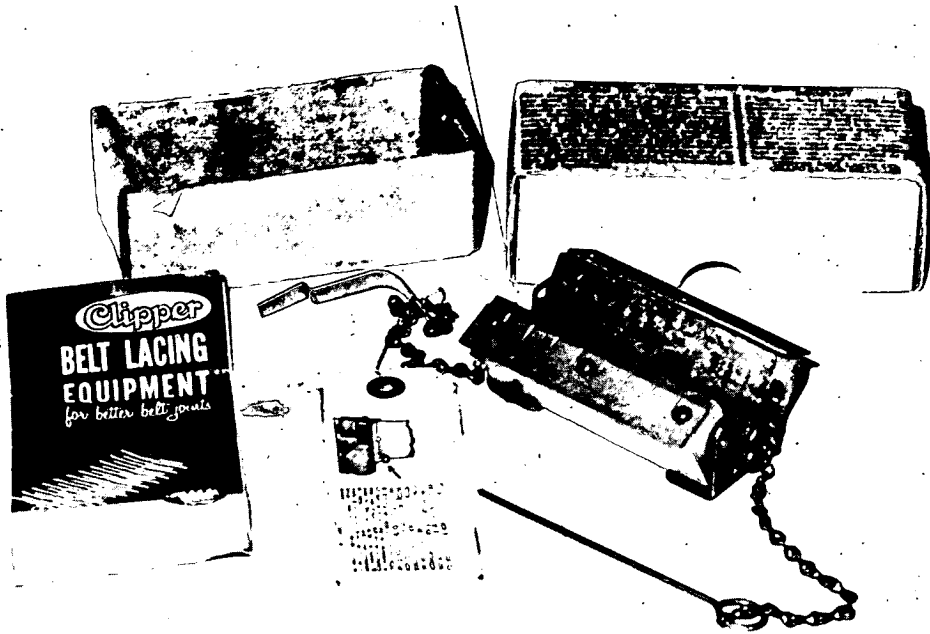
HYDRAULIC PRESSURE GAUGE

- 7825417 (1) Hydraulic Pressure Gauge



LACER AND SPLICER TOOL KIT

728717 (1) Lacing and Splicing Tool Kit Complete

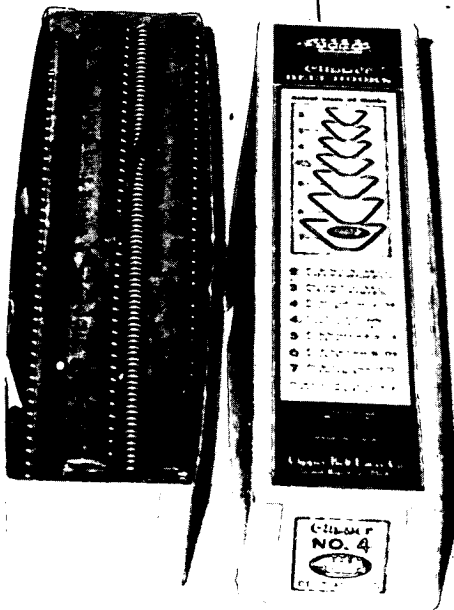


(Available from your Hesston Dealer)

LACING HOOKS AND PINS

728873 (1) Lacing Hooks and Pins

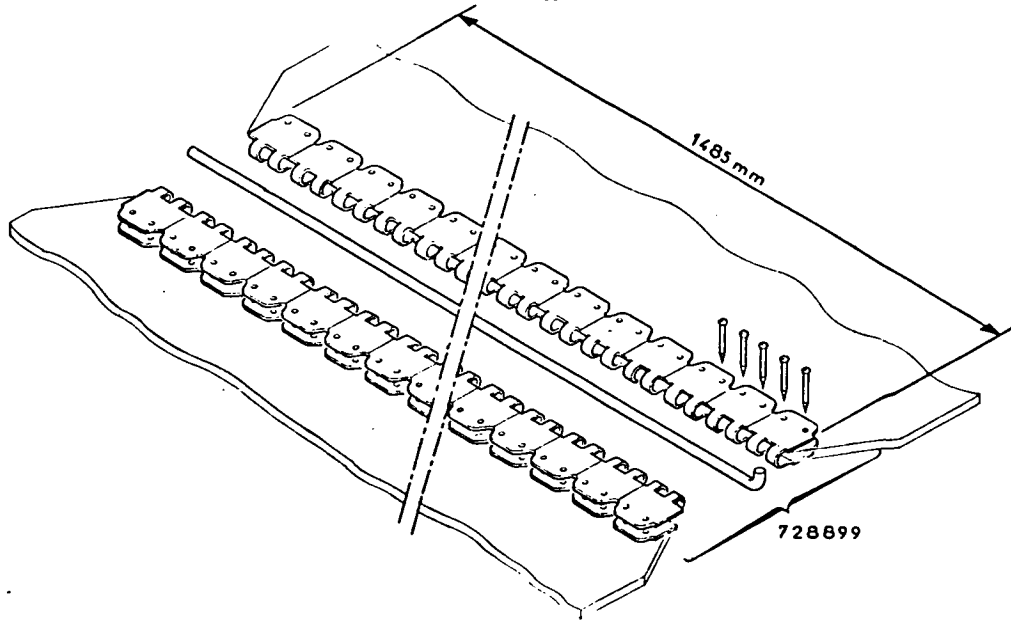
(Box of N° 4 (12) 3 00 mm hooks and (18) 120 mm Pins)



(Available from your Hesston Dealer)

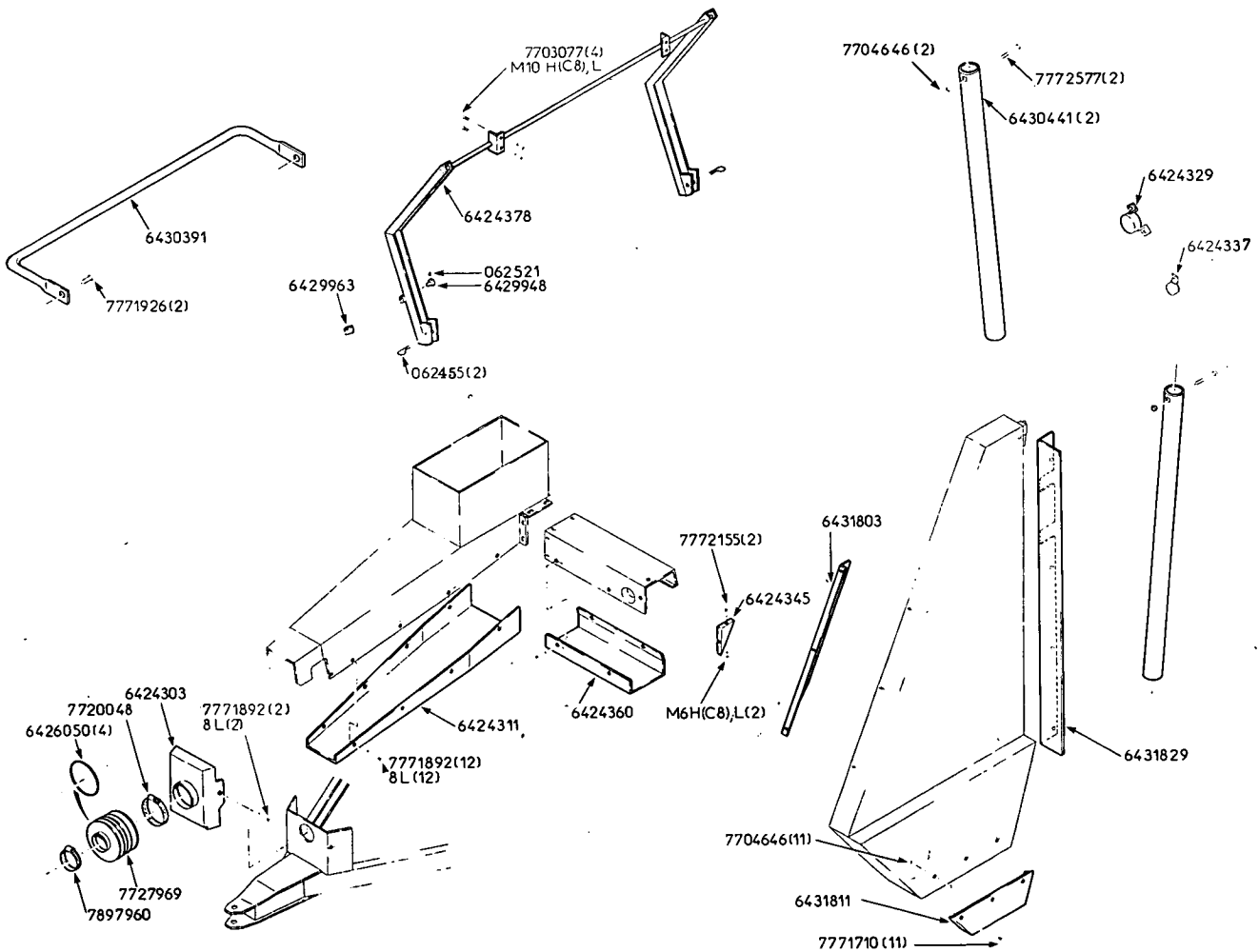
LACING HOOKS AND PINS FOR LOWER BELT

728899 (1) Composed : (60) Hooks
(1) Lacing Pin
(250) Copper Rivets



SAFETY SHIELDS KIT

- | | | | | | |
|---------|-----|------------------------------------|---------|------|----------------------------|
| 062455 | (1) | Hair Cotter Pin | 6431803 | (1) | Shield |
| 062745 | (2) | Hair Cotter Pin | 6431811 | (1) | Shield |
| 6424303 | (1) | Shield For Sliding U-Joint | 6431829 | (1) | Shield |
| 6424311 | (1) | Shield For The Primary Shaft | 7703077 | (4) | M10 x 30 (C18.8) Cap Screw |
| 6424329 | (1) | Shield For The End Of Belt Shaft | 7704646 | (13) | M8 Lock Nut |
| 6424337 | (1) | Shield For The Pick-Up Drive Shaft | 7720048 | (1) | Clamp |
| 6424345 | (1) | Shield | 7727969 | (1) | Bellows |
| 6424360 | (1) | Shield For the Gear Box and Chains | 7771710 | (11) | M8 x 16 (C18.8) Cap Screw |
| 6424378 | (1) | Bracket of the Rear Gate | 7771892 | (14) | M8 x 20 (C18.8) Cap Screw |
| 6426050 | (4) | Ring | 7771926 | (2) | M12 x 45 (C18.8) Cap Screw |
| 6429948 | (1) | Pin | 7772155 | (2) | M6 x 16 (C18.8) Cap Screw |
| 6429963 | (1) | Lug | 7772577 | (2) | M8 x 100 (C18.8) Cap Screw |
| 6430391 | (1) | Protection of the Rear Gate | 7897960 | (1) | Clamp |
| 6430441 | (2) | Protection of the Springs | | | |



PART NUMBER PAGE INDEX

Part N°	Page N°	Part N°	Page N°	Part N°	Page N°	Part N°	Page N°	Part N°	Page N°
042598	24	728873	28	815928	8	6293310	17	6414627	17
046482	24	728899	29	815936	8		19		23
049692	13	742031	24	815944	8	6293328	17	6414643	19
050534	15	746677	24	816942	8	6293336	19	6414700	17
054205	10	747931	10	816959	8	6293385	20		19
058511	17	758102	10	840413	17	6293492	19	6414726	17
	19	758326	17		19	6293583	20		19
058727	10		19	840470	17	6293633	17	6414775	23
062125	10	758888	13	840488	15		19	6414791	23
062174	14	761866	10	840538	8	6293641	17	6414817	17
062240	10		15	840595	10	6293708	13		19
	17	761874	10	846394	24	6293716	13	6414833	20
	19	761882	10	855254	10	6294045	13	6414858	19
062257	15	761916	10	858712	13	6294078	17	6414874	17
062737	14	761924	10	858720	13		19		19
065953	23	761932	10	858738	15	6294110	20	6414916	13
077412	10	761940	10	858746	17	6294268	26	6414924	13
	13	763847	9		19		27	6414965	13
	15	763888	20	872051	24	6294276	26	6414999	13
	17	763896	17	6183644	17		27	6415046	13
	19		19		19	6297584	20	6415053	13
077487	13		23	6191316	10	6298269	19	6415087	13
	15	763912	13	6229769	10	6298285	20	6415111	15
085712	10		20	6244255	10	6298293	20	6415145	10
085720	10		23	6289383	14	6298301	17		15
087767	14	776054	10	6289391	14	6298319	17	6415186	14
101949	14	766832	10	6289458	14			6415194	15
231407	17	767949	13	6289516	14	6414148	17	6415228	15
	19	774703	23	6289813	15		19	6415251	24
242271	17	775932	15	6289821	15	6414155	17	6415269	24
	19	776187	7	6289862	15		19	6415384	20
254409	10		10	6289870	15	6414163	17	6415392	10
261024	15	791442	8	6289920	15		19	6415400	10
268789	10	795518	24	6289946	15	6414171	19	6415418	10
329342	17	796565	24	6289987	15	6414189	23	6415426	10
	19	812966	9	6291017	15	6414197	17	6415442	10
337527	10	813006	9	6291058	15		19	6415467	10
419291	15	813022	9	6291447	13	6414205	17	6415483	10
487777	17		10	6291538	13	6414288	19	6415491	10
	19	813030	9	6292031	13	6414296	23	6415517	17
705426	15	813071	9	6292064	13	6414320	20		19
708164	10	813089	9	6293114	13	6414346	20	6417364	23
708313	10	814046	23	6292148	13	6414361	20	6417372	23
712612	10	814970	9	6292163	13	6414379	20	6422760	27
712869	15	815233	9	6292619	17	6414387	20	6423925	17
713123	15	815241	9		19	6414403	17	6423958	19
714535	20	815811	8	6292635	20		19	6423966	23
714543	15	815829	8	6292643	20	6414429	20	6423974	20
728667	20	815837	8	6292858	17	6414486	23	6424261	10
728683	20	815886	8	6292866	19	6414569	23	6424931	15
728717	28	815894	8	6293302	17	6414577	19	6424949	17
728865	23	815910	8		19	6414585	23		19

PART NUMBER PAGE INDEX

Part N°	Page N°	Part N°	Page N°	Part N°	Page N°	Part N°	Page N°	Part N°	Page N°
6425615	14	7711211	8	9980350	27				
6425623	14	7711229	8	9980566	26				
6425995	24	7711237	13						
6426001	24		20						
6454797	17		23						
6454797	19	7711245	17						
6457931	15		19						
6465637	10		23						
6473144	27	7711252	11						
7026305	23	7712771	23						
7026388	23	7712789	23						
7026511	23	7727019	23						
7026529	23	7727027	23						
7027444	17	7734502	26						
7040124	26	7734528	26						
7040132	26	7734536	26						
7040165	26	7745532	14						
7041007	24	7747405	11						
7044274	8	7749351	13						
7052558	17	7749518	11						
7058589	14	7749526	11						
7072606	24	7749534	11						
7700495	11	7749542	11						
	13	7749559	11						
	15	7749567	11						
7700586	20	7749575	11						
	23	7753957	14						
7700602	17	7771892	11						
7700610	17	7771926	15						
7700610	19	7772452	11						
7700628	13	7793086	9						
7702681	8	7803455	8						
7703226	9	7803463	8						
7703630	13	7804503	9						
7703671	13	7804511	9						
	15	7804529	9						
7704372	14	7804537	9						
7704406	9	7804545	9						
7704430	10	7807977	11						
7704463	19	7807985	11						
7704596	19	7807993	11						
7704612	14	7808017	11						
7704646	17	7808025	11						
7704679	24	7808033	11						
7704695	15	7808041	11						
7704885	11-13	7808058	11						
	17-19	7808066	11						
7710676	11	7825417	27						
7710866	23	7846306	24						
7711062	11	7846314	24						
7711195	8	7846520	24						
7711203	8								